

# SKEETA PARTS CATALOGUE



**Contact Us:**

E: [sales@skeetawatersports.com](mailto:sales@skeetawatersports.com)  
[www.skeetawatersports.com](http://www.skeetawatersports.com)

**Webshop:**

[www.skeetawatersports.com/shop](http://www.skeetawatersports.com/shop)

# INDEX

This catalogue is to assist you finding specific parts and their names and numbers.

If you are unsure what you need, please contact us.

If you need parts, please visit the Webshop, Contact us or your Distributor.

**Contact Us:**

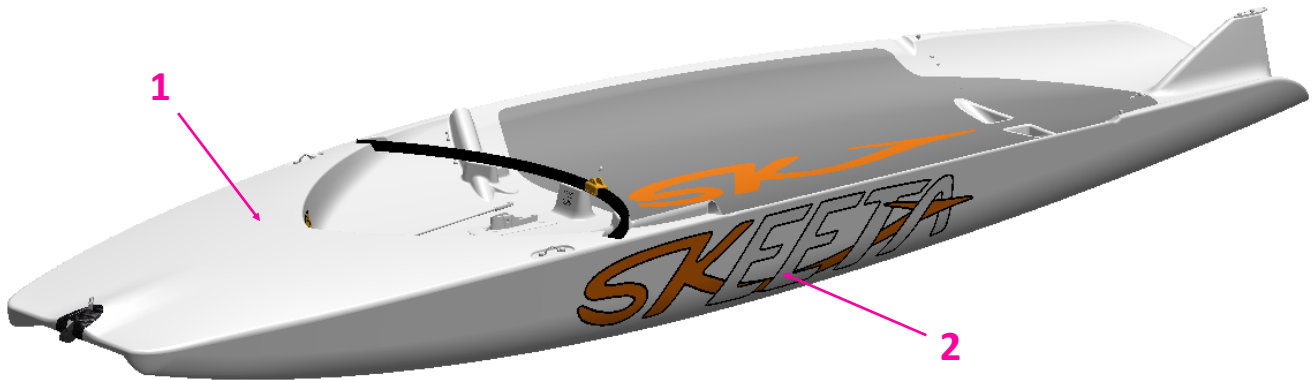
E: [sales@skeetawatersports.com](mailto:sales@skeetawatersports.com)  
[www.skeetawatersports.com](http://www.skeetawatersports.com)

**Webshop:**

[www.skeetawatersports.com/shop](http://www.skeetawatersports.com/shop)

Page No.	Click on the Page Name below
1	<a href="#">Hull Assembly</a>
3	<a href="#">Section 1 — Bow Area</a>
4	<a href="#">Section 2 — Mast Step Area</a>
7	<a href="#">Section 3 — Vang Track Area</a>
10	<a href="#">Section 4 — Deck Area</a>
12	<a href="#">Section 5 — Stern Area</a>
14	<a href="#">Sails</a>
15	<a href="#">Mast</a>
17	<a href="#">Boom</a>
18	<a href="#">Spreader</a>
19	<a href="#">Stays</a>
20	<a href="#">Wings</a>
26	<a href="#">Daggerboard</a>
29	<a href="#">Rudder Vertical</a>
30	<a href="#">Main Lifting Foil</a>
33	<a href="#">Rudder Lifting Foil</a>
34	<a href="#">Wand Assembly</a>
35	<a href="#">Rudderbox Assembly</a>
36	<a href="#">Rudderbox</a>
38	<a href="#">Internal Components</a>
44	<a href="#">Bags and Covers</a>

# HULL ASSEMBLY



No.	Part No.	Description
1	S-HULLMF	Skeeta Hull with main fittings
2	ST-S-HS	Skeeta Hull Sticker

# HULL ASSEMBLY

**Section 1**  
- Bow Area

**Section 2**  
- Mast Step Area

**Section 3**  
- Vang Track Area

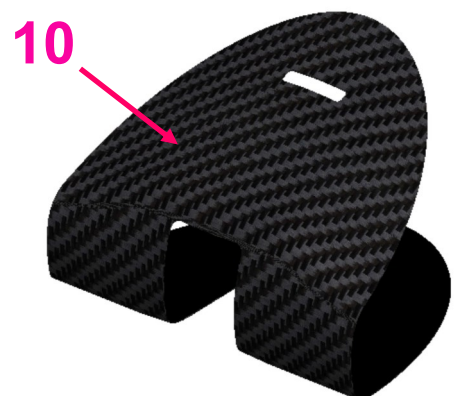
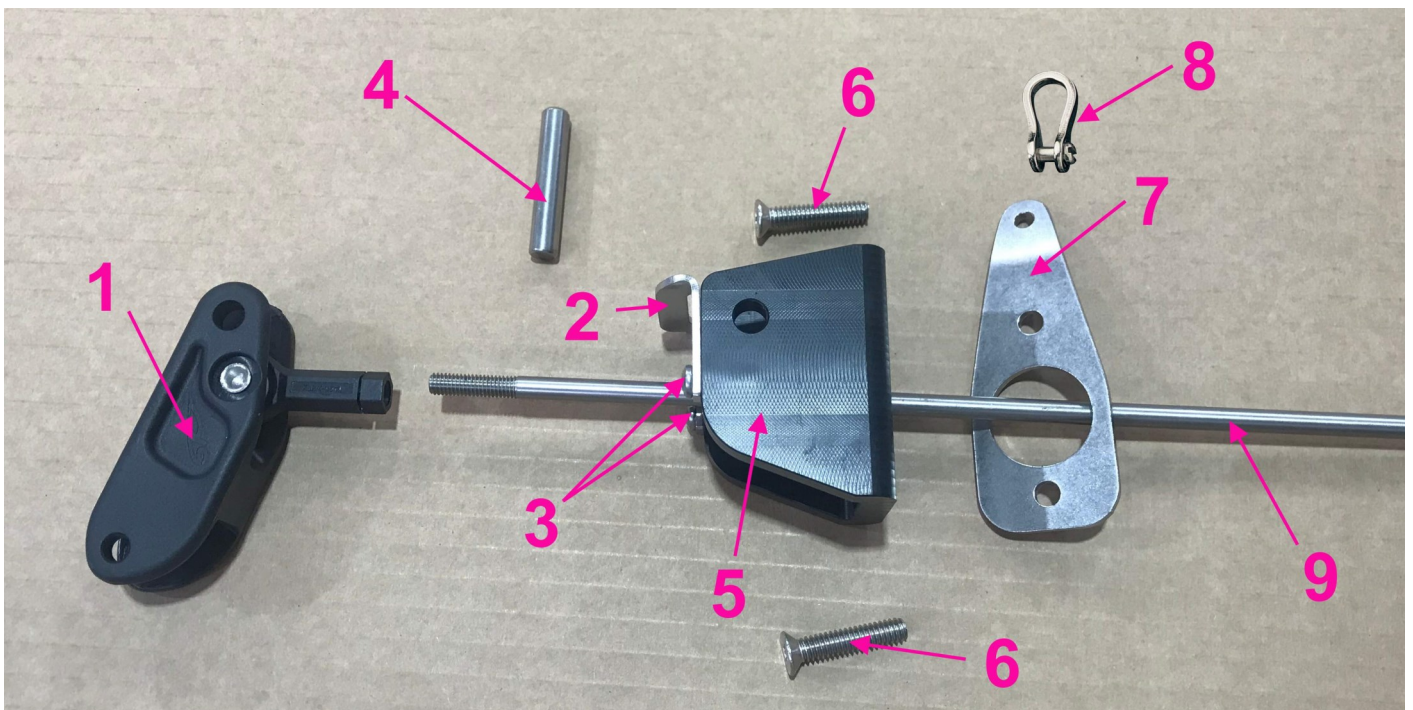
**Section 4**  
- Deck Area

**Section 5**  
- Stern Area



# Section 1 – Bow Area

No.	Part No.	Description	QTY
1	S-BMRJA	Bow Mech and Rose Joint Assembly	1
2	SN-BM-SP	Bow mech stop plate	1
3	B8GAX12PPH	8GA x 1/2" SS 316 Pan Phillips Head Bolt	2
4	SN-BM-PR8	Bow Mech Pivot Rod 8mm	1
5	SN-BM-PB	Bow Mech Pivot Block	1
6	B14X114CPH	1/4" x 1" SS 316 CSK Phillips Head Bolt	2
7	S-H-FP	Forestay Plate	1
8	RF614	Shackle 3/16", L:19mm, W:8mm	1
9	S-H-PR6	6mm Horizontal Pushrod	1
10	S-H-CBC	Skeeta Carbon Bow Cover	1

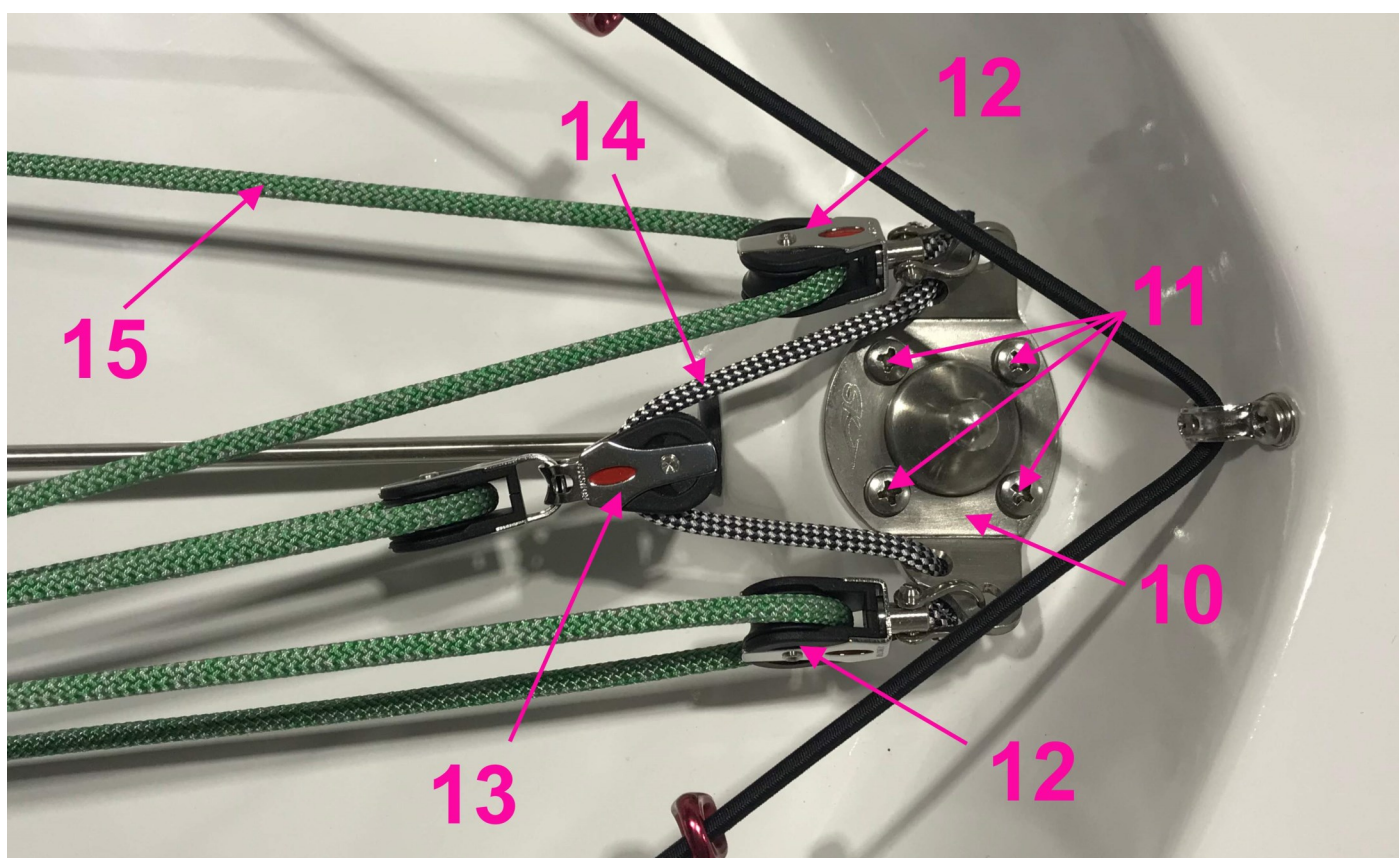
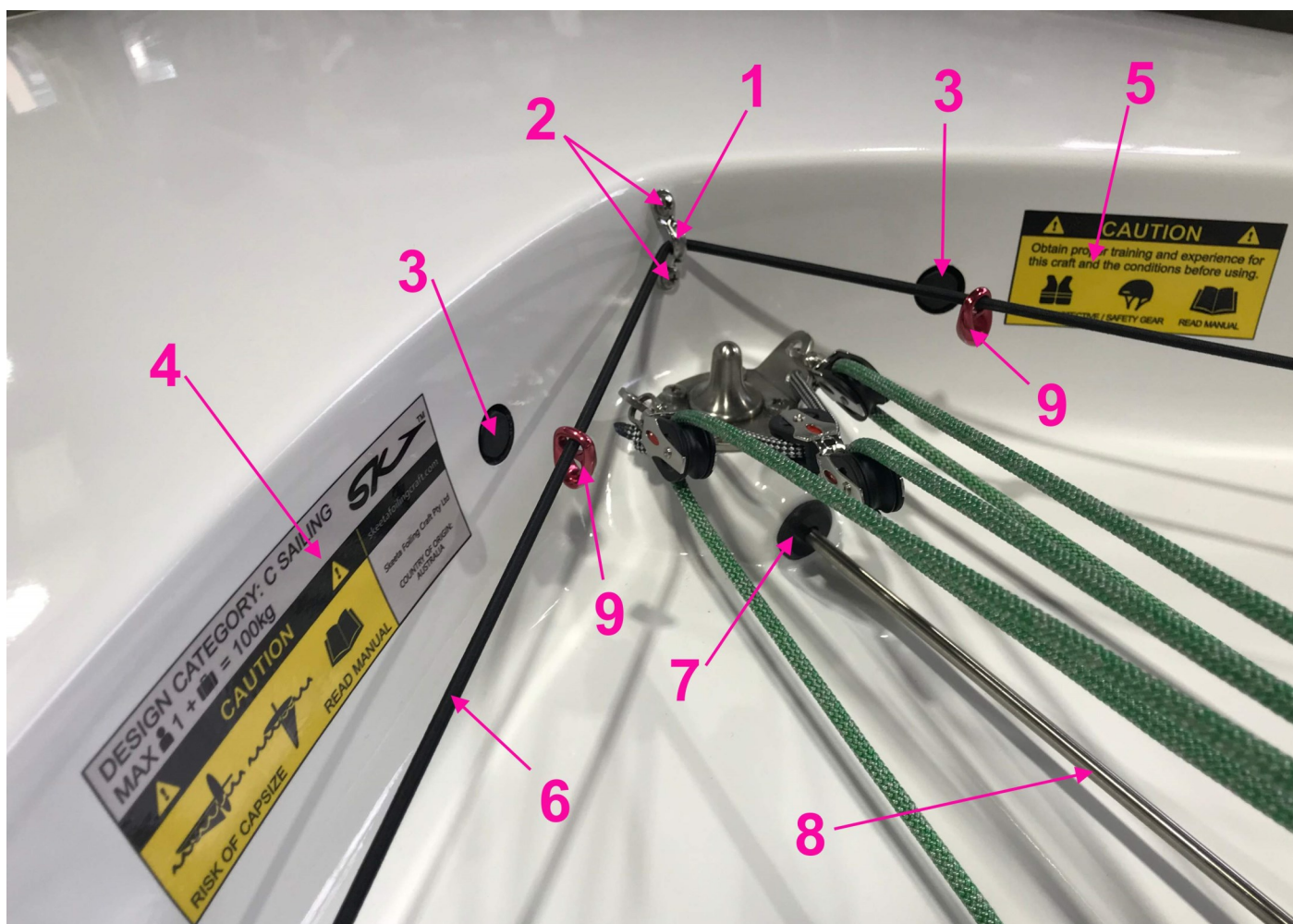


# Section 2 – Mast Step Area

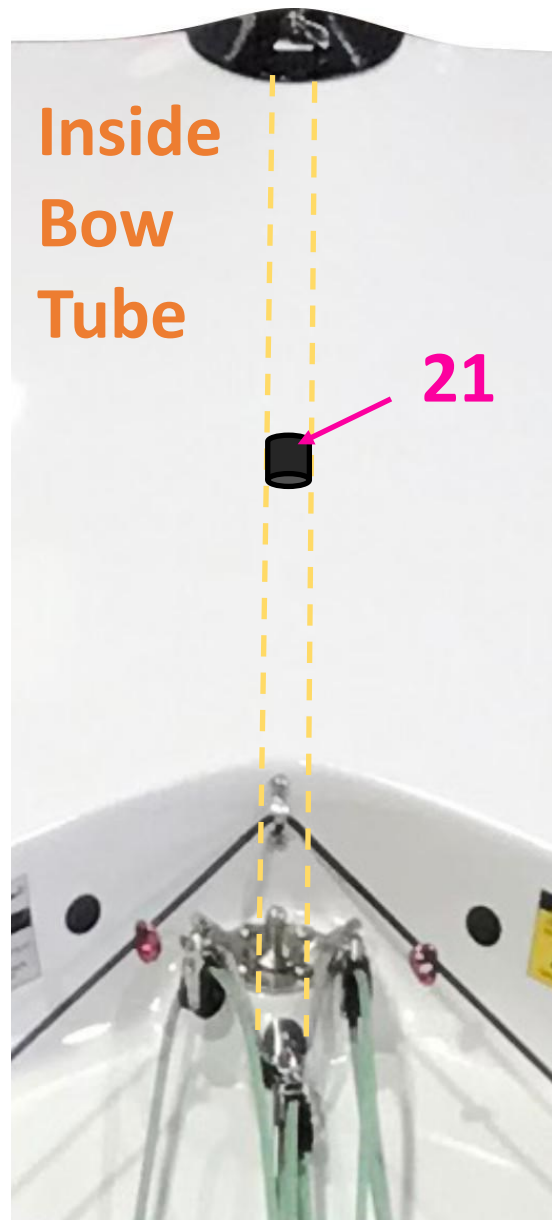
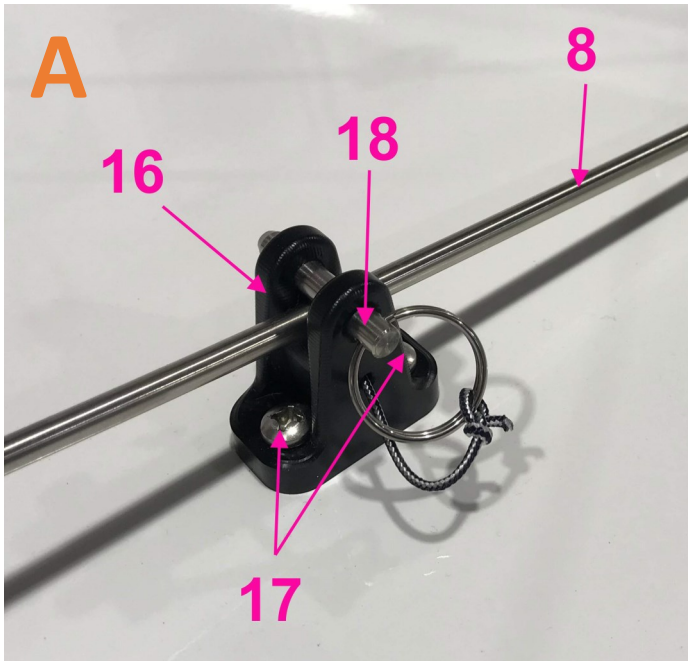
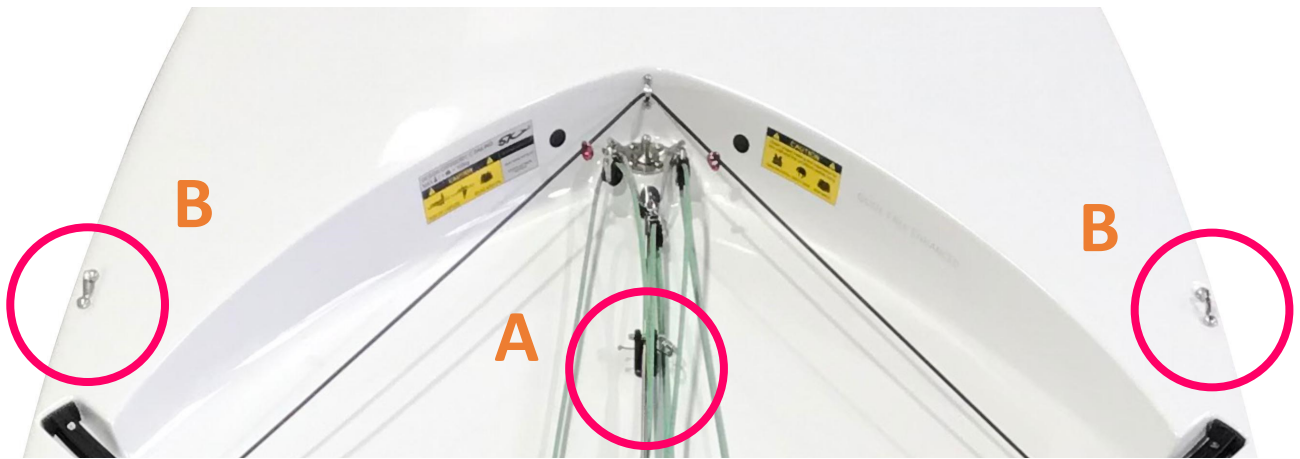


No.	Part No.	Description	QTY
1	RF94A	Saddle Flared, 4.8mm	1
2	B8GAX34PPH	8GAx3/4" SS 316 Pan Phillips Head	2
3	12072977	Gore Tex Air Valve	2
4	ST-S-S	Sticker Skeeta Spec 150mm x 55mm	1
5	ST-SN-H-CA	Sticker Caution Hull 100mm x 47.5mm	2
6	R-S-WS4	Wand Shockcord 4mm x 2050mm	1
7	SN-H-BTEB	Bow Tube End Bush	1
8	S-HPR6	6mm Horizontal Pushrod	1
9	RF8080R	Ronstan Shock Red	2
10	S-H-MS	Mast Step	1
11	B05X12PPH	5x12mm SS 316 Pan Phillips Head	4
12	RF20100	S20 BB Block, Single swivel head	2
13	RF20284	S20 BB Blocks, Loop Top Linked	1
14	R-S-VSMS5	Vang Strop on Mast Step 5mm x 300mm	1
15	R-S-VC5	Vang Control 5mm x 6000mm	1
16	S-H-PS	Pushrod Support	1
17	B12GAX1PPH	12GAx1" SS 316 Pan Phillips Head	2
18	SNT-S440	1/4" x 38mm fast pin	1
19	RF1055	Saddle Narrow 16mm	2
20	B14X1PPH	1/4"x1" SS 316 Pan head Phillips Head	4
21	SN-H-BTCB	Bow Tube Centre Bush	1

## Section 2 – Mast Step Area

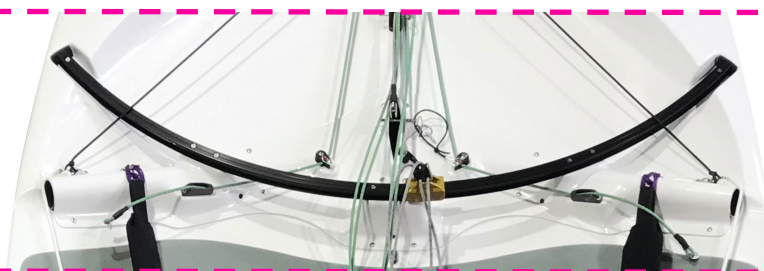


# Section 2 – Mast Step Area



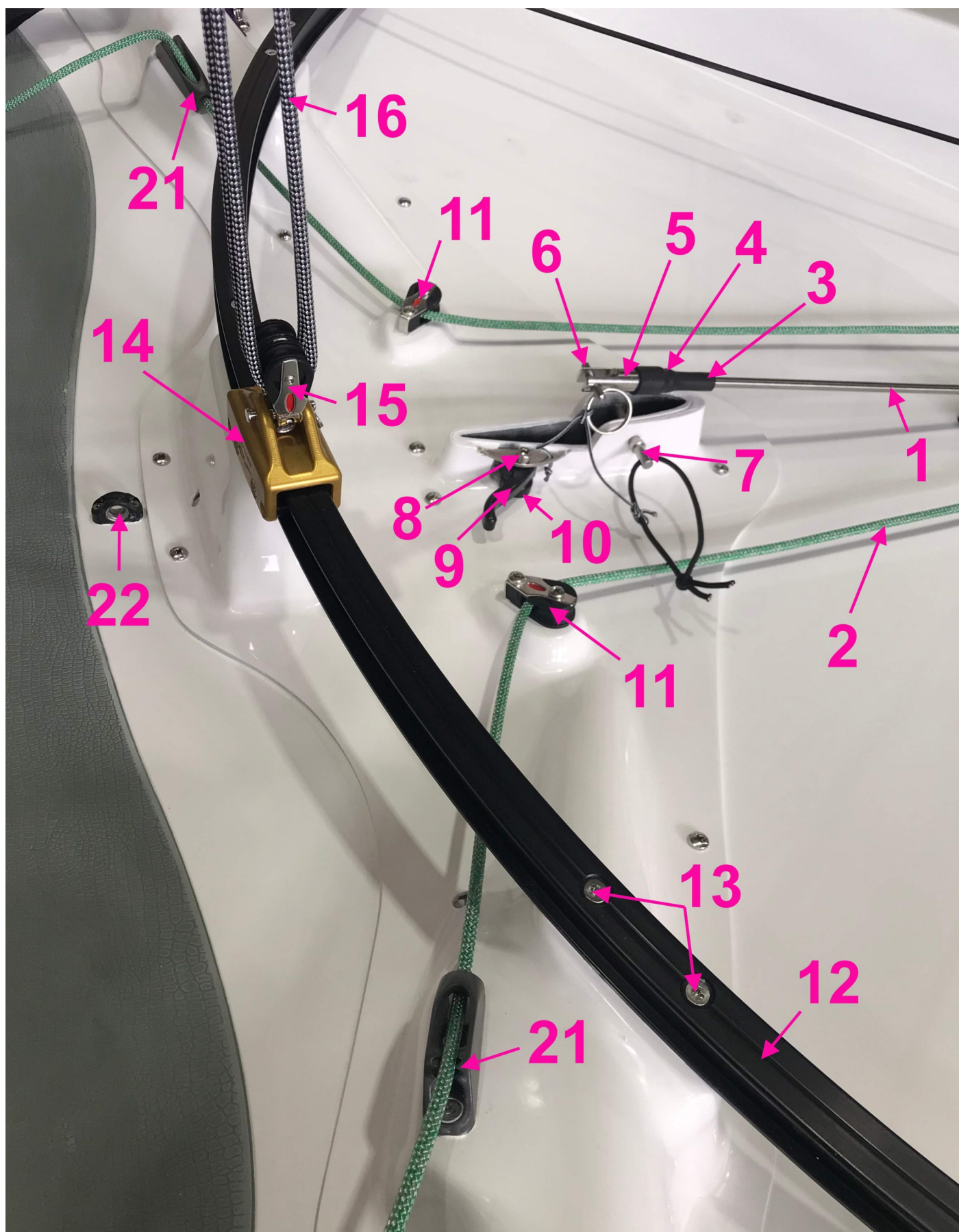


# Section 3 – Vang Track Area

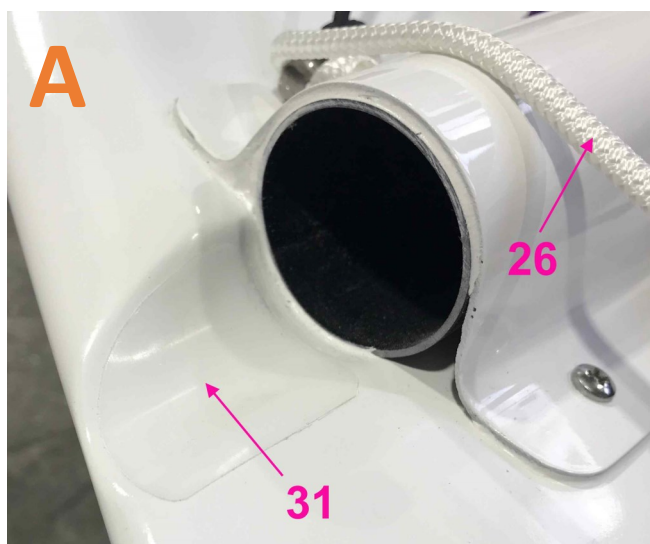
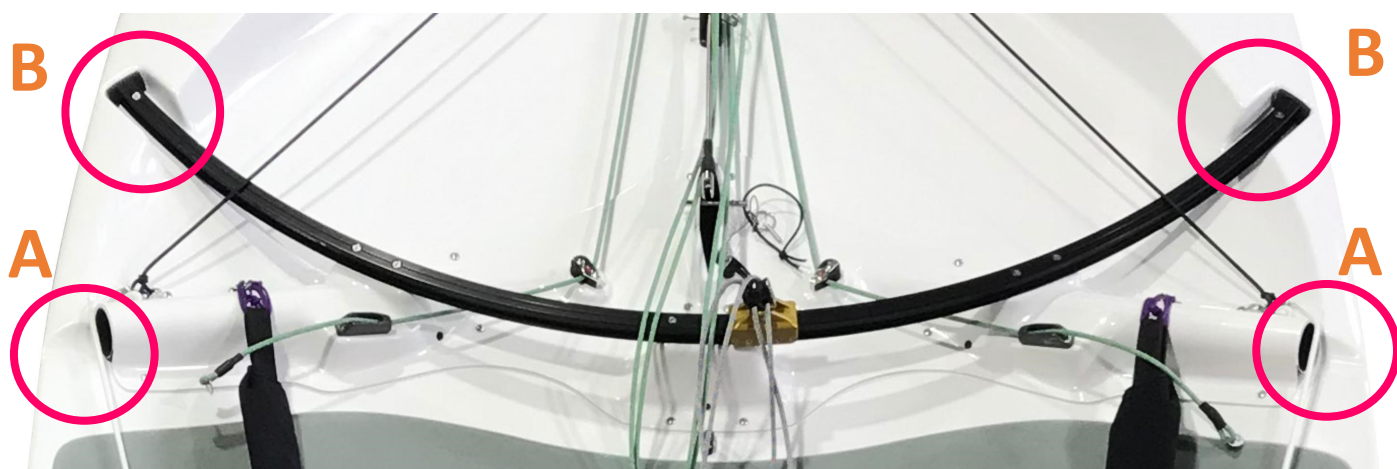
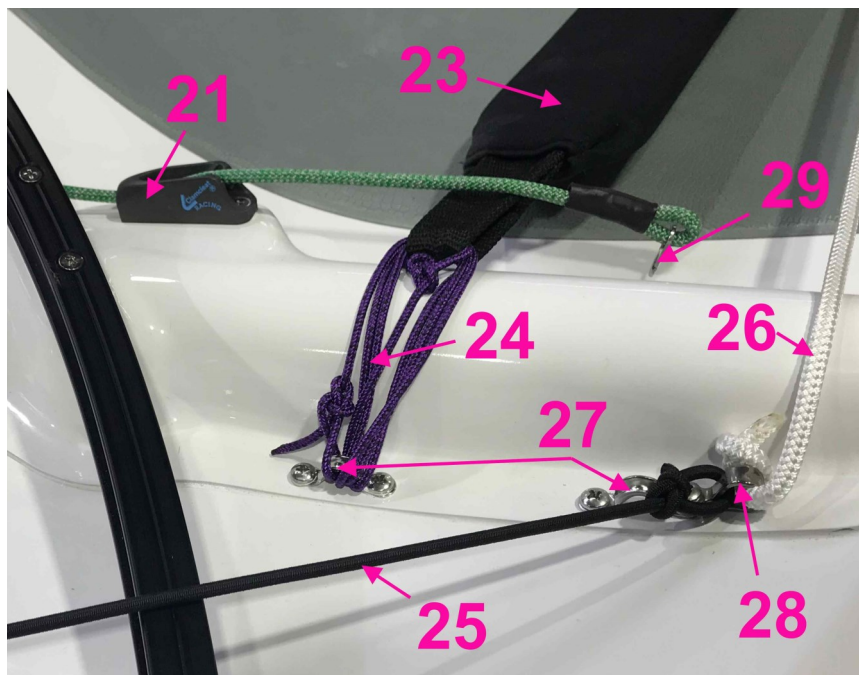
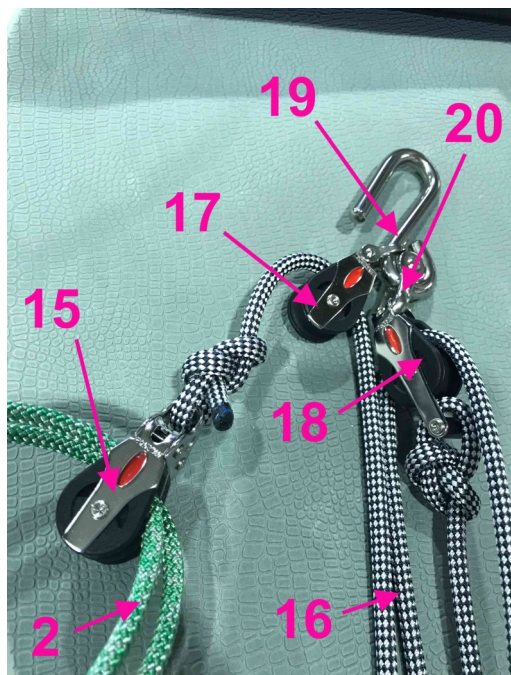


No.	Part No.	Description	QTY
1	S-HPR6	6mm Horizontal Pushrod	1
2	R-S-VC-5	Vang Control 5mm x 6000mm	1
3	HSR-13X50	13mm Resin Heat Shrink 50mm	1
4	B06LN	M6 Nyloc Nut	1
5	S-H-PC6	Pushrod Clevis 6mm	1
6	RF5310	Fast Pins 1/2" x 3/16" Diam.	1
7	SN-FLP	Foil Lock Pin	1
8	B05X40SHCS	5x40mm SS 316 SHCS	1
9	SN-TC	Toggle Clamp	1
10	SN-H-DTCR	Toggle Clamp Rest	1
11	RF20151	S20 BB Block, Single Cheek	2
12	S-H-VT	Vang Track	1
13	B316X112CPH	3/16" x 1-1/2" CSK Phillips Head	8
14	S-VTC	Vang Traveler Car	1
15	RF20202	S20 BB Block, Double	2
16	R-S-V41-5	Vang 4:1 Rope 5mm x 2400mm	1
17	RF20100	S20 BB Block, Single swivel head	1
18	RF20111	S20 BB Block, Single Loop Top Becket	1
19	RF48A	S-Hook 6mm	1
20	RF614	Shackle 3/16", L:19mm, W:8mm	1
21	C211 MK2 AN	Clamcleat Racing Junior Mk2 Hard Anodised	2
22	PNP120	Fairlead Stainless Lined, ID:6.5mm, Black	1
23	S-C-HS138S	Skeeta Hiking Straps—port and starboard set	1
24	R-SN-HSR	Hiking Strap rope 3mm x 1000	2
25	R-S-WS4	Wand Shockcord 4mm x 2050mm	1
26	R-S-RR	Righting Rope Set	1
27	RF94A	Saddle Flared, 4.8mm	4
28	RF1050	Eye Becket	2
29	RF536	Sister Clips	2
30	S-VTEVA6	6mm EVA Foam	2
31	S-H-CTWS	Chafe Tape - 4 piece Wing Set	1

## Section 3 – Vang Track Area



# Section 3 – Vang Track Area

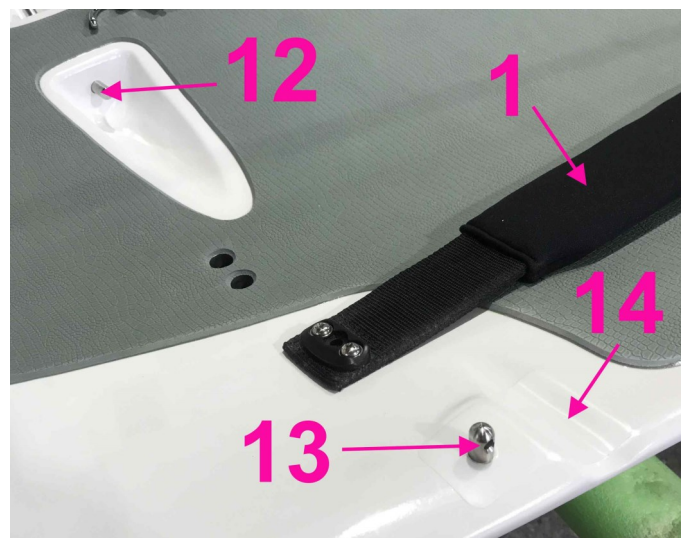
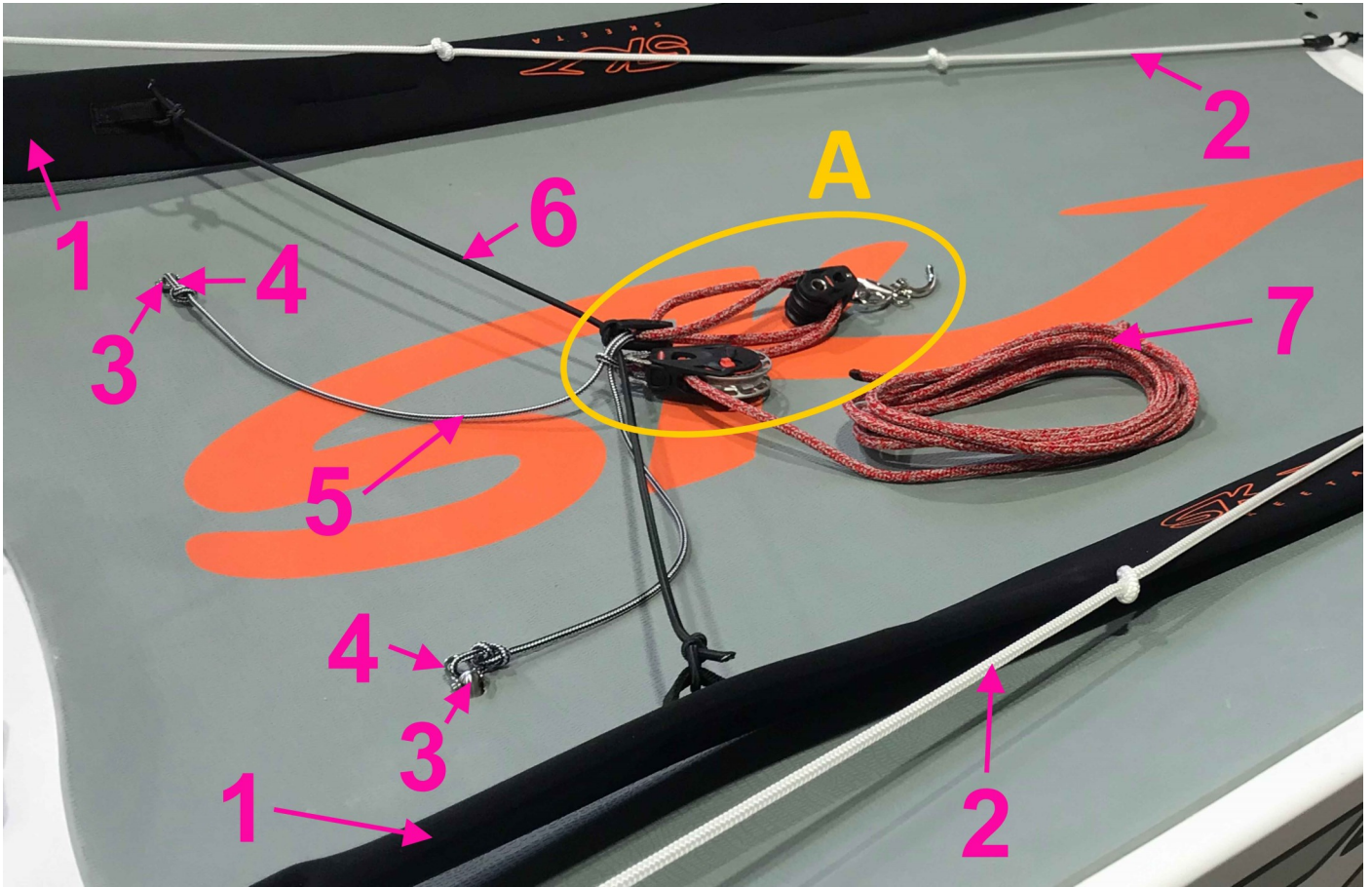


## Section 4 – Deck Area



No.	Part No.	Description	QTY
1	R-SN-HSR	Hiking Strap rope 3mm x 1000	2
2	R-S-RR	Righting Rope Set	1
3	SN-H-BP	Bridle Pin	2
4	RF615	Shackle, D, Slotted Pin 5/32", L:15mm, W10mm	2
5	R-S-MSB	Mainsheet Bridle 4mm x 1200mm	1
6	R-S-HSS5	Hiking Strap Shockcord 5mm x 1100mm	1
7	R-S-MS7	Skeeta Mainsheet 7mm x 4500mm	1
8	RF56101	S55 RT Orbit Block, Single, Link Head	1
9	RF35101	S30 BB Orbit Block, Single, Becket Option, Lashing	1
10	RF35202	S30 BB Orbit Block, Double, shackle head	1
11	RWB2478	Fixed snap shackles 55mm	1
12	SN-H-RWBIP	Rear Wing Bar Inner Pin	2
13	SN-H-RWBOLP	Rear Wing Bar Outer Lock Pin	2
14	S-H-CTWS	Chafe Tape - 4 piece Wing Set	1

# Section 4 – Deck Area

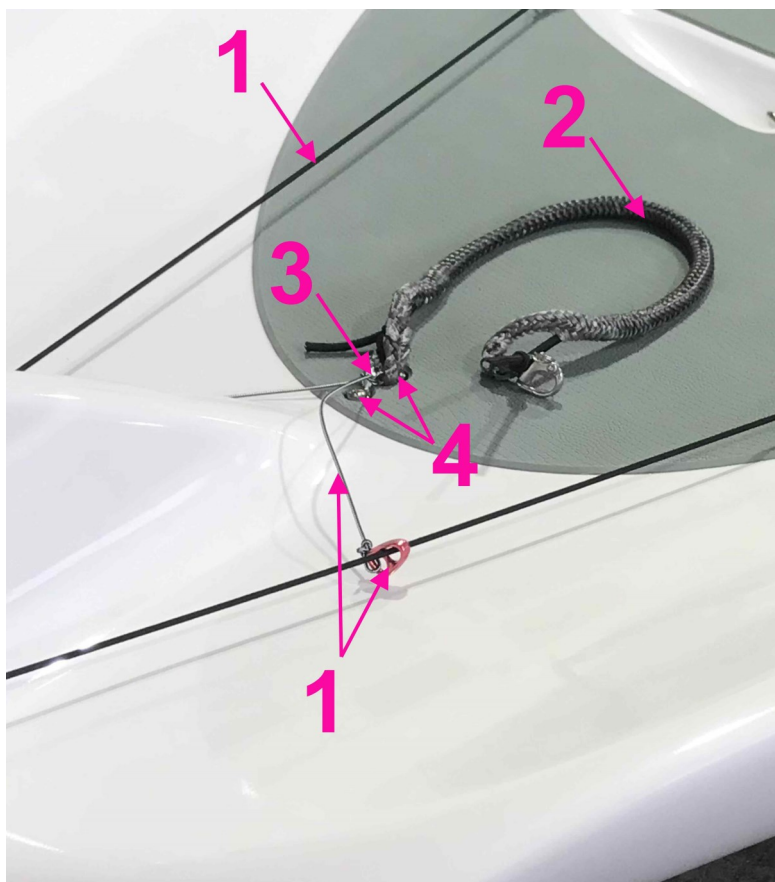


# Section 5 – Stern Area

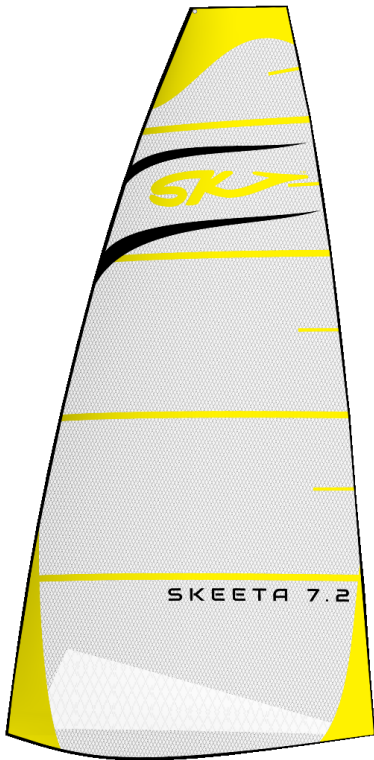


No.	Part No.	Description	QTY
1	R-S-RR	Righting Rope Set	1
2	SN-H-TR	Tiller Restrictor	1
3	RF94A	Saddle Flared, 4.8mm	1
4	B12GAX34PPH	12GA x 3/4" SS 316 Pan Phillips Head	2
5	SN-H-TG	Top Gudgeon	1
6	B14X1PPH	1/4" x 1" SS 316 Pan Phillips Head	4
7	SN-H-BG	Bottom Gudgeon	1
8	RF1050	Eye Becket	1
9	B316X34PPH	3/16" x 3/4" SS 316 Pan Phillips Head	1

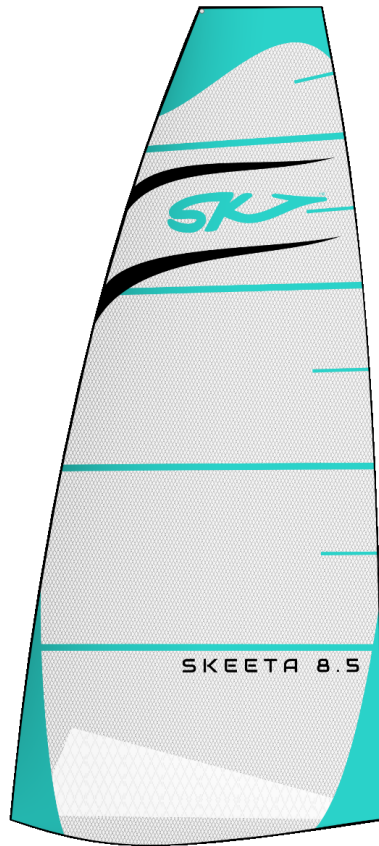
# Section 5 – Stern Area



# SAILS



7.2 Sail  
S-D7.2S



8.5 Sail  
S-D8.5S



9.5 Sail  
S-D9.5S

Skeeta Doyle Sail 7.2 Batten Set

S-R-D7.2BS

Skeeta Doyle Sail 8.5 Batten Set

S-R-D8.5BS

Skeeta Doyle Sail 9.5 Batten Set

S-R-D9.5BS

RBS ROCKET 10 x 5mm Batten

RB-BT10X50

RBS ROCKET Tension Key

RB-BTKEY

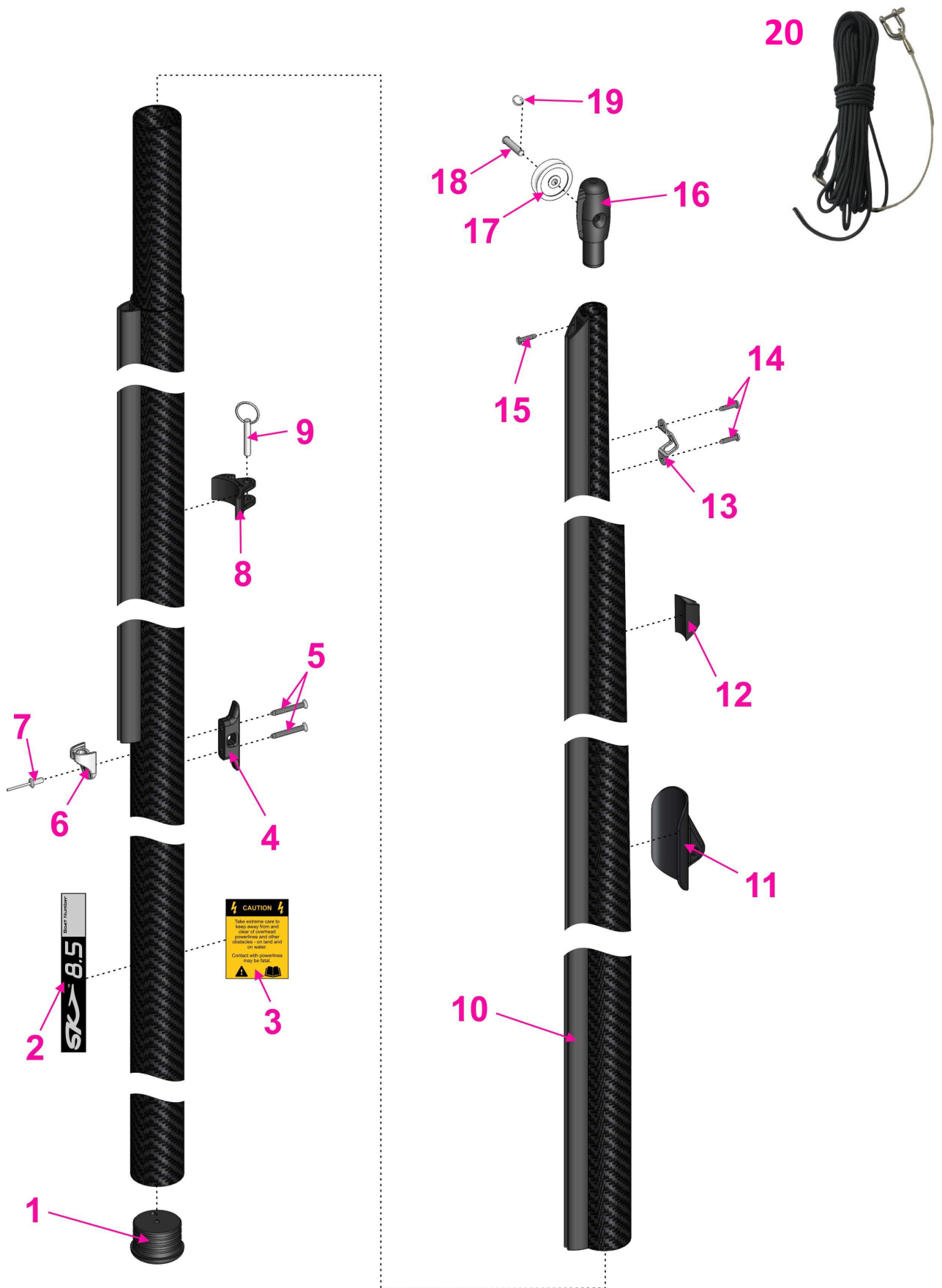




# MAST

No.	Part No.	Description	QTY
	S-R-7.2MB	7.2 Mast Base Complete	
	S-R-8.5MB	8.5 Mast Base Complete	
	S-R-9.5MB	9.5 Mast Base Complete	
	S-R-MT-S	Skeeta Mast Tip Complete	
1	S-R-MB-BP	Mast Base Bottom Plug	1
2	ST-S-R-MB-7.2	Sticker S 7.2 Mast 140.5mm x 22mm	
2	ST-S-R-MB-8.5	Sticker S 8.5 Mast 140.5mm x 22mm	
2	ST-S-R-MB-9.5	Sticker S 9.5 Mast 140.5mm x 22mm	
3	ST-SN-R-MB-CA	Sticker Mast Caution 55mm x 70mm	1
4	RF520	Horn Cleat, 3" x 3/16" holes	1
5	B10GAX112CPH	10GA x 1.5" SS 316 CSK Phillips Head	2
6	SN-R-SF	Sail Feeder	1
7	F-R66SS	#6-6 Rivet Stainless Steel	1
8	S-R-SF	Spreader Fitting—Mast Base	1
9	SNT-S440	1/4" x 38mm Fast Pin	1
10	SN-R-MST	Mast Sail Track - Sold per Metre	
11	S-R-HF	S Hound Fitting	1
12	SN-R-MTHK	Mast Tip Halyard Keeper	1
13	RF191	Halyard Lock	1
14	B8GAX34PPH	8GA x 3/4" SS 316 Pan Phillips Head	2
15	B8GAX34PPH	8GA x 3/4" SS 316 Pan Phillips Head	1
16	SN-R-MHF	Mast Tip Head Fitting	1
17	RF251	Sheave Acetal OD:39mm x ID:6mm x W:10mm	1
18	RF265	Clevis Pin Stainless Steel 6.4mm x 25.4mm	1
19	RF113	Split Cotter Ring 3/8" Diam.	1
20	R-S-HWS	Skeeta Halyard and Wire Strop	1

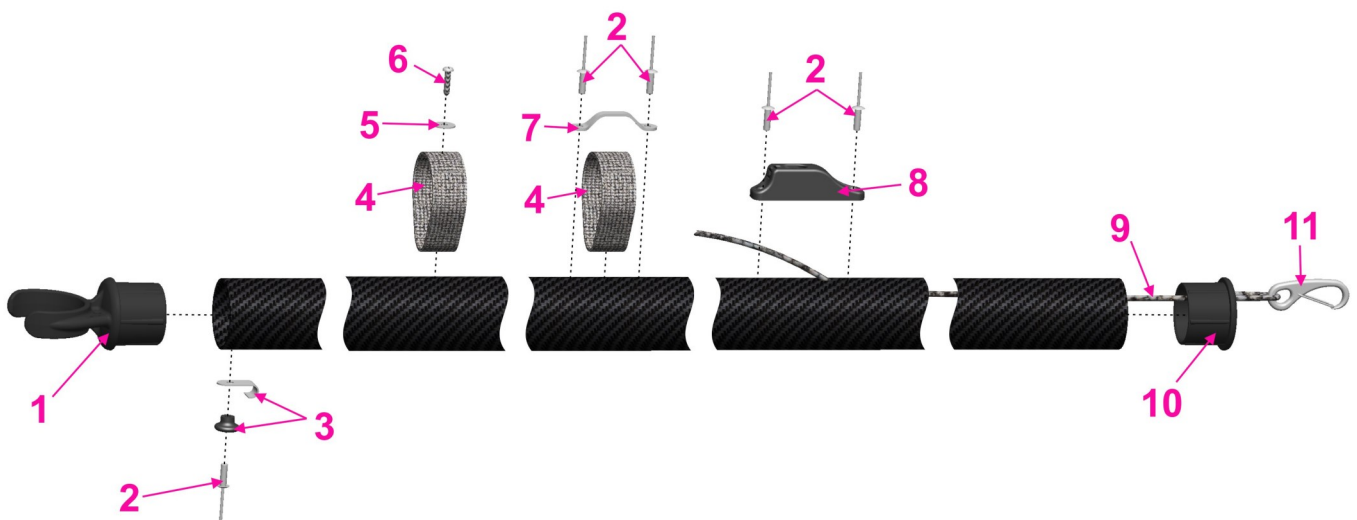
# MAST



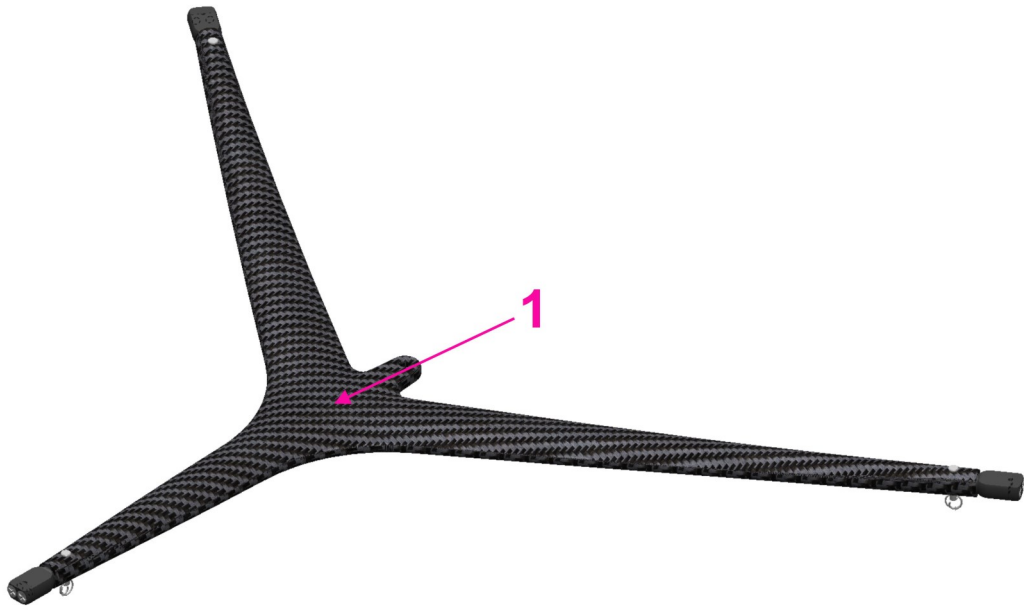
# BOOM



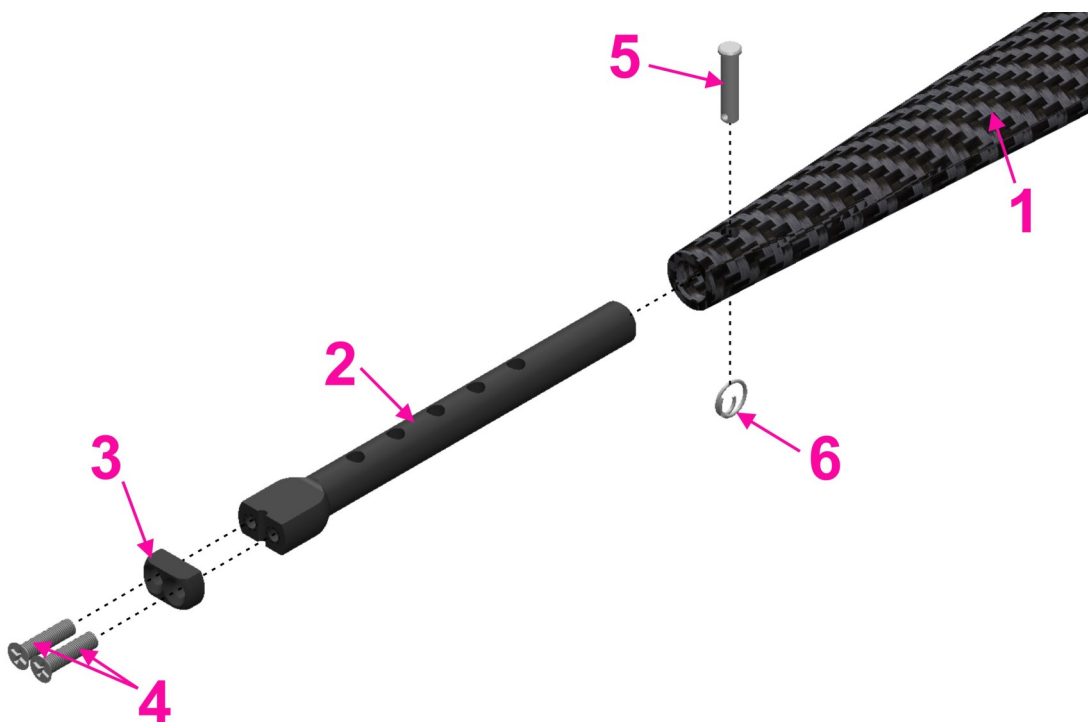
No.	Part No.	Description	QTY
	S-R-CB-A	S Carbon Boom Complete	
1	SN-R-GY	Gooseneck Yoke	1
2	F-R66SS	#6-6 Rivet Stainless Steel	5
3	RF88 or SAW-25105	Thumb Cleat Modified or Cord Button	1
4	SN-R-BWL	Boom Webbing Loop	2
5	BW316X12	3/16" Washer Large	1
6	B8GAX34PPH	8GA x 3/4" SS 316 Pan Phillips Head	1
7	RF134	Saddle, Narrow 14mm Clearance - Modified	1
8	C203	Clamcleat Junior 3mm - 6mm, Black Nylon	1
9	R-S-OH	Outhaul Rope	1
10	SN-R-BEP	Boom End Plug	1
11	CS2470-50	Spring Snap Hook 50mm	1



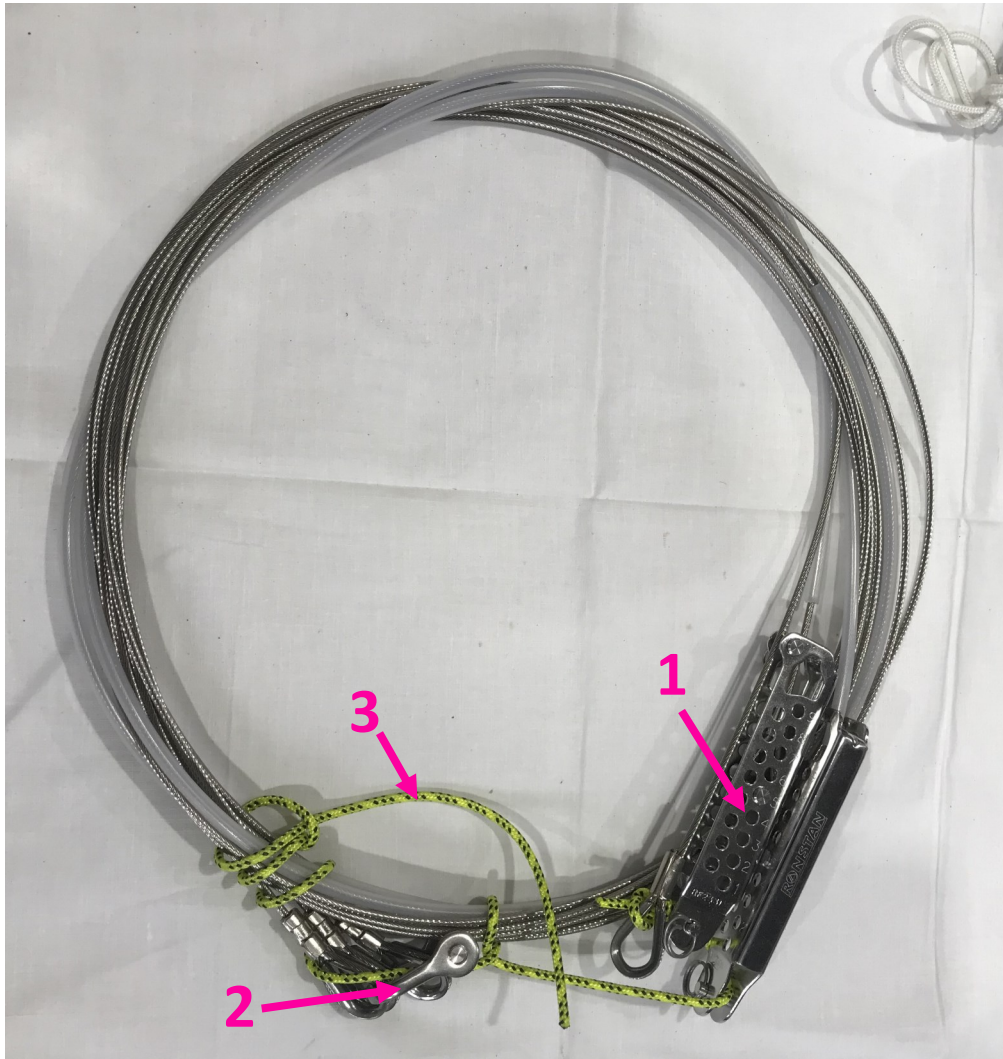
# SPREADER



No.	Part No.	Description	QTY
	S-R-AS	Spreader Complete	
1	S-R-ASB	Spreader Body	1
2	S-R-AS-AR	Adjuster Rod	3
3	S-R-AS-ASC	Adjuster Stay Cap	3
4	B316X34CPH	3/16" x 3/4" SS 316 CSK Phillips Head	6
5	RF261	Clevis Pin, Stainless Steel 4.7mm x 19mm	3
6	RF113	Split Cotter Ring 3/8" Diam.	3



# STAYS

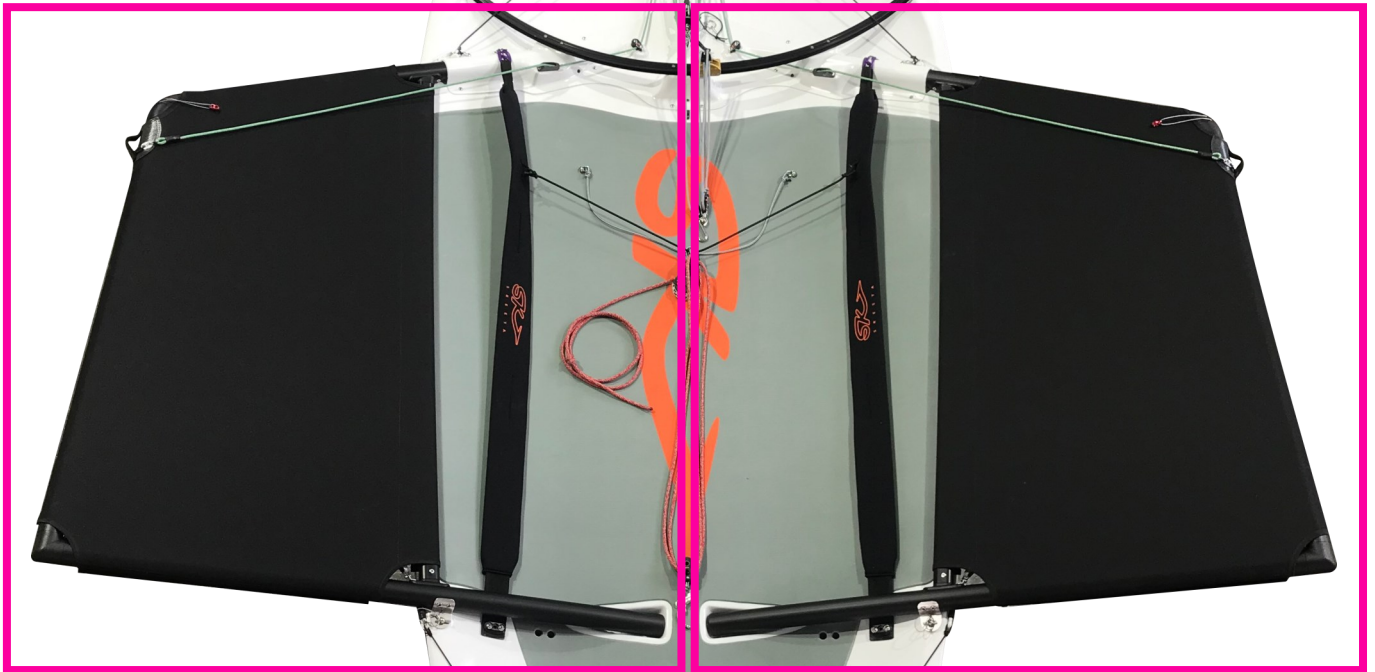


No.	Part No.	Description	QTY
	S-R-7.2ST	7.2 Stays without Adjusters	
	S-R-8.5ST	8.5 Stays without Adjusters	
	S-R-9.5ST	9.5 Stays without Adjusters	
	S-R-7.2STA	7.2 Stays with Adjusters	
	S-R-8.5STA	8.5 Stays with Adjusters	
	S-R-9.5STA	9.5 Stays with Adjusters	
1	ID039763	Fine Tune Stay Adjuster RF2331, Clevis Pin	2
2	RF151	Shackle D, Slotted Pin 1/4"	1
3	R-S-7.2FS	7.2 Forestay Rope	
3	R-S-8.5FS	8.5 Forestay Rope	
3	R-S-9.5FS	9.5 Forestay Rope	

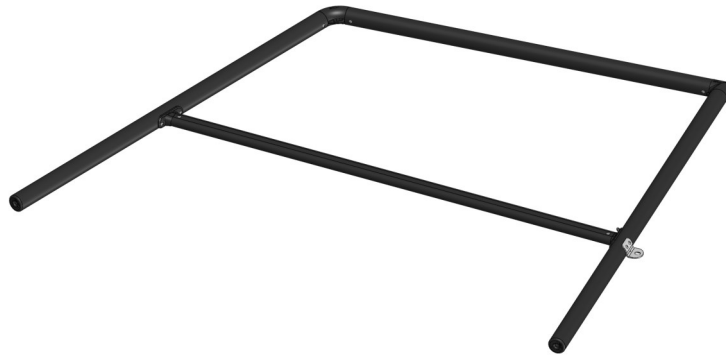
# WINGS

Port Wing

Starboard Wing

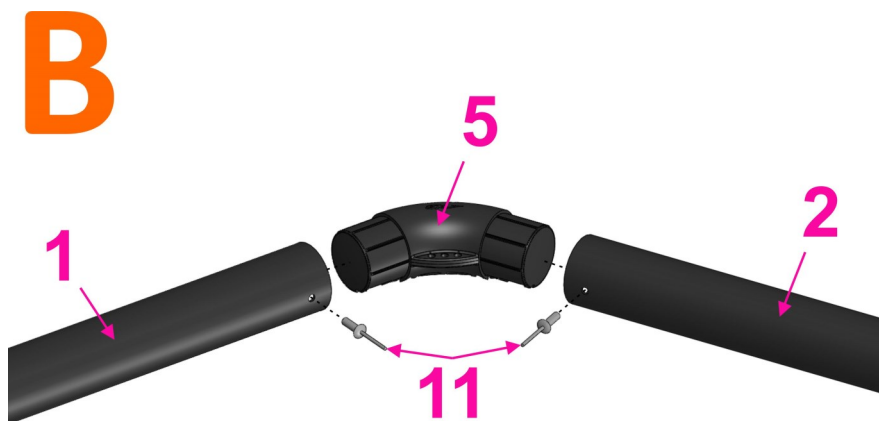
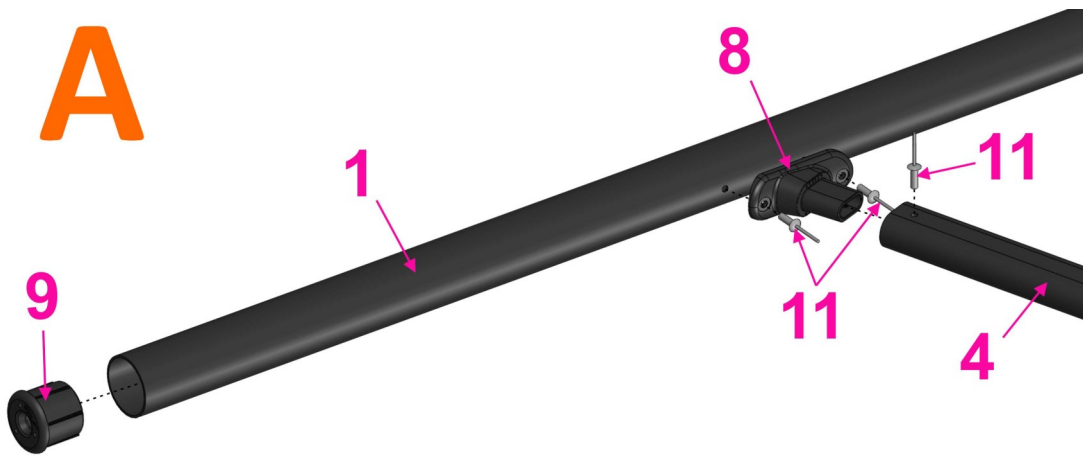
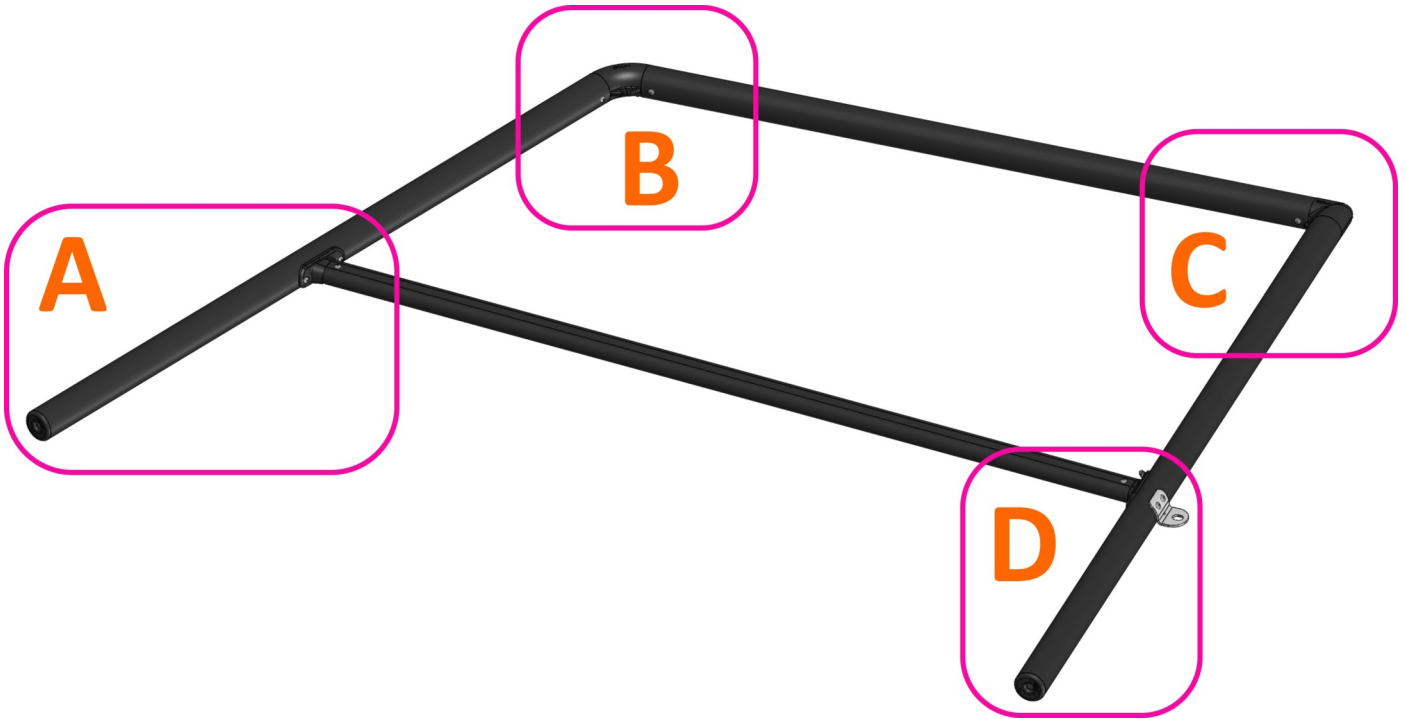


# WINGS



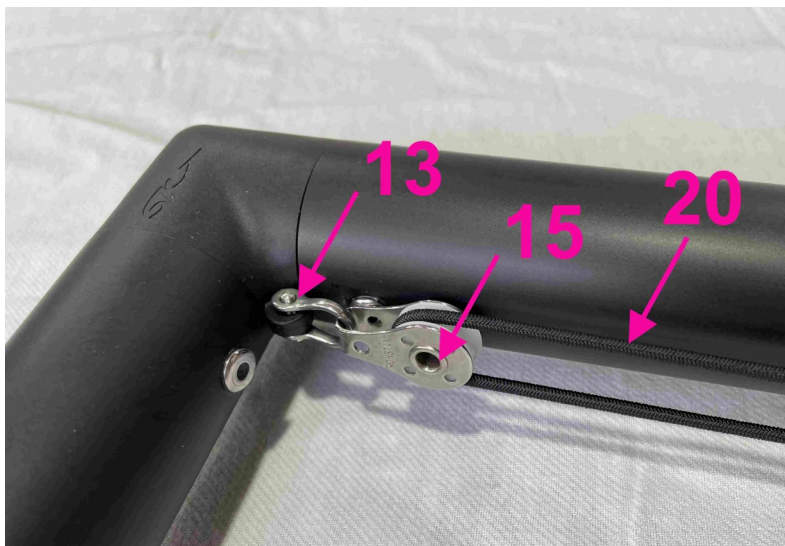
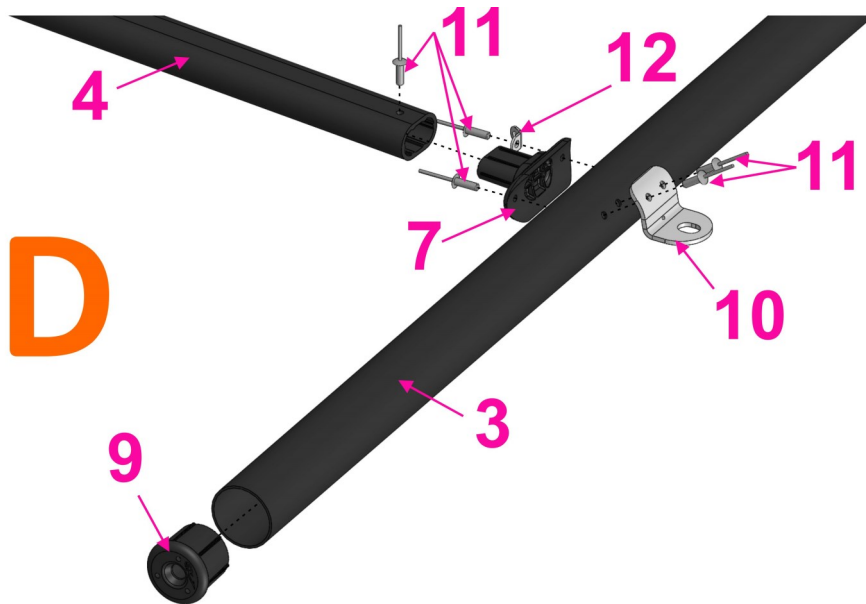
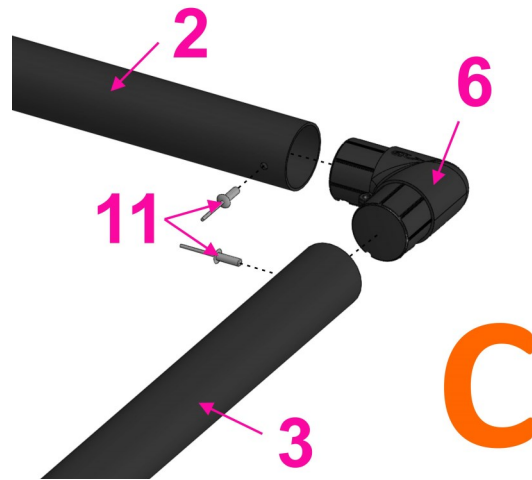
No.	Part No.	Description	QTY per wing
	S-W-STWF	S Starboard Wing Frame	
	S-W-PTWF	S Port Wing Frame	
1	S-W-FWB	Front Wing Bar	1
2	S-W-OWB	Outer Wing Bar	1
3	S-W-RWB	Rear Wing Bar	1
4	S-W-IWBS	Inner Wing Bar Starboard	
4	S-W-IWBP	Inner Wing Bar Port	
5	S-W-FEJ	Wing Front Elbow Joiner	1
6	S-W-REJ	Wing Rear Elbow Joiner	1
7	S-W-RIJ	Wing Rear Inner Joiner	1
8	S-W-FIJ	Wing Front Inner Joiner	1
9	S-W-EP	Wing End Plug	2
10	S-W-BLP	Wing Bar Lock Plate	1
11	F-R66M	#6-6 Rivet Monel	12
12	S-W-SB	Wing Shockcord Bracket	1
13	RF613S	Shackle, Bow, Slotted Pin 3mm, L:13mm, W:9mm	3
14	RF13101G	Kite block, grey	1
15	RF666	S19 Block Loop Top	1
16	RF15202	S15 BB Block, Double	1
17	RF536	Sister Clip	1
18	RF5310	Fast Pins 1/2" x 3/16" Diam.	1
19	RF8080R	Shock_red	1
20	R-S-WISC	S Wing Internal Shockcord	1
21	R-SN-WWRT	Wing Wand Rope Tether	1
22	R-SN-WLPT	Wing Lock Pin Tether	1
23	S-C-WTCS	S Trampoline Covers set	1
24	S-C-WTCR	S Trampoline Cover Rods Set	1

# WINGS

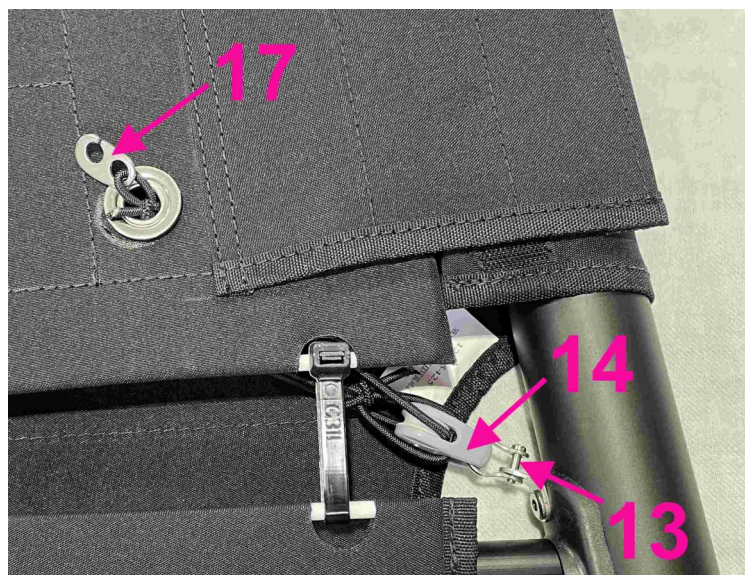
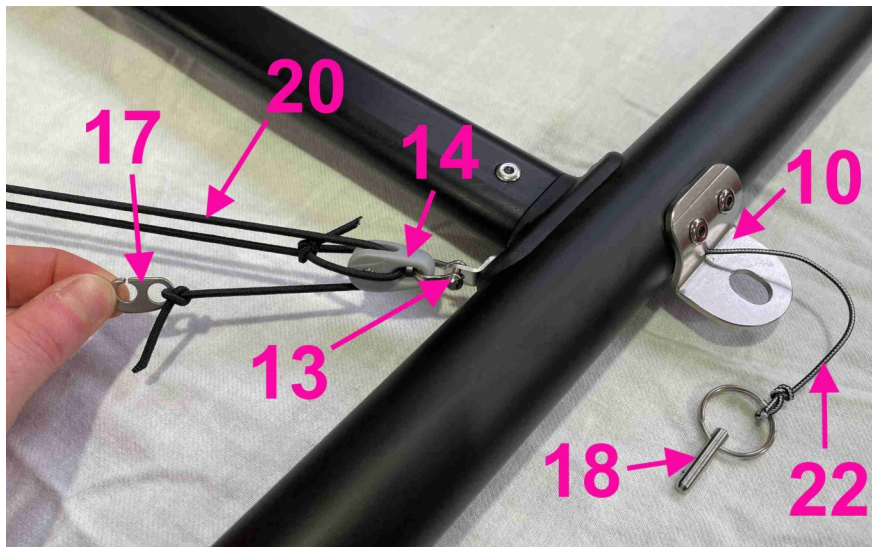
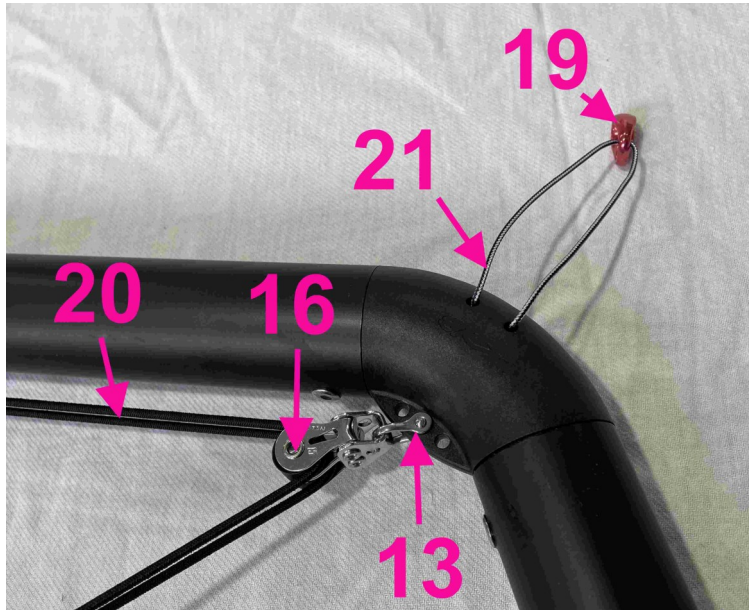




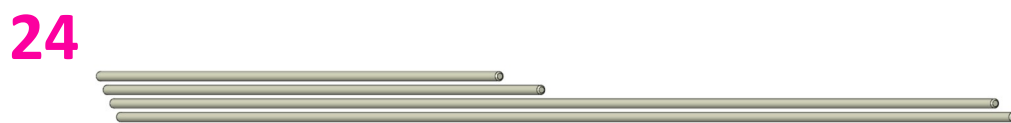
# WINGS



# WINGS



# WINGS



# DAGGERBOARD

**S-DV-G1**

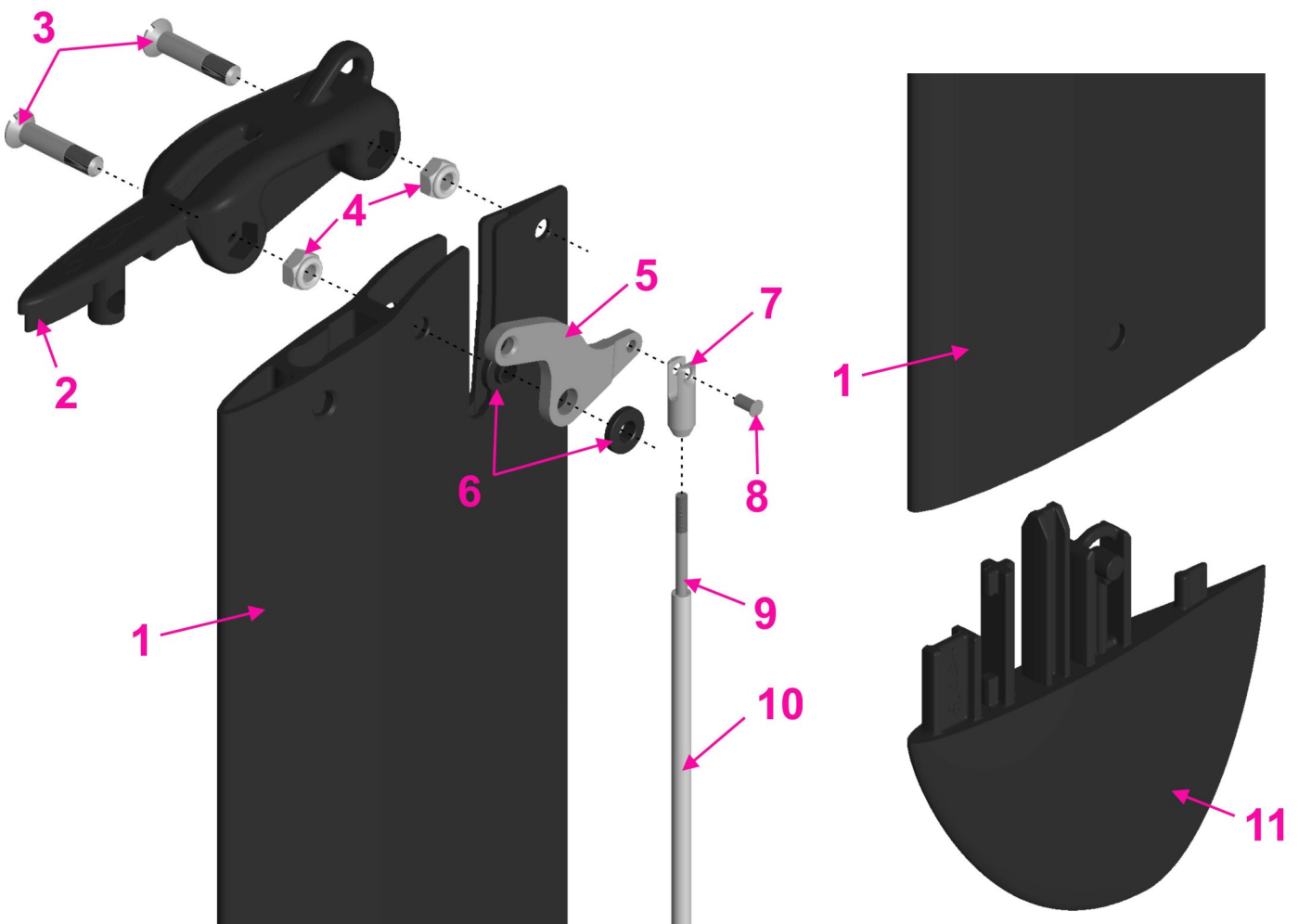


**S-DV-G2**



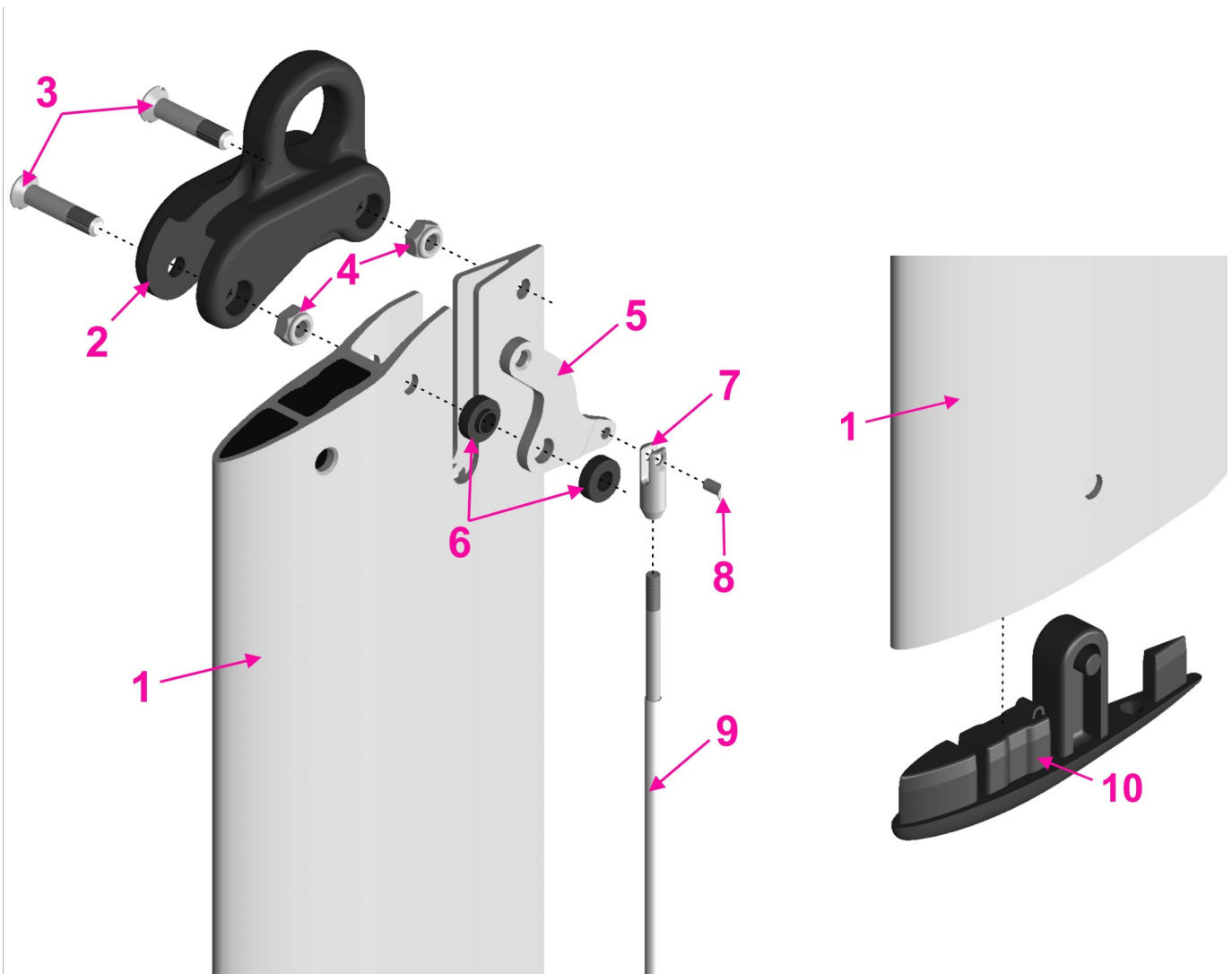
# DAGGERBOARD G1

No.	Part No.	Description	QTY
	S-DV-G1	Daggerboard Vertical G1 Complete	
1	S-DV-G1E	Daggerboard Vertical G1 Extrusion	1
2	SN-DV-G1-TC	Daggerboard Top Cover G1	1
3	B06X30CSH	M6 x 30 CSK Slot Head	2
4	B06LN	M6 Nyloc Nut	2
5	SN-DV-BC253425.5	Bell Crank 25, 34-25.5	1
6	SN-DV-G1-BCB	Bellcrank Bush G1	2
7	SN-DV-PC18	Pushrod Clevis 1/8" thread	1
8	SN-DV-PCR	Pushrod Clevis Rivet	1
9	S-DV-G1-3.18P	Pushrod 3.18mm	1
10	SN-DV-G1-PT	Daggerboard G1 Plastic Tube	1
11	SN-DT-G1	Displacement Tip G1	1



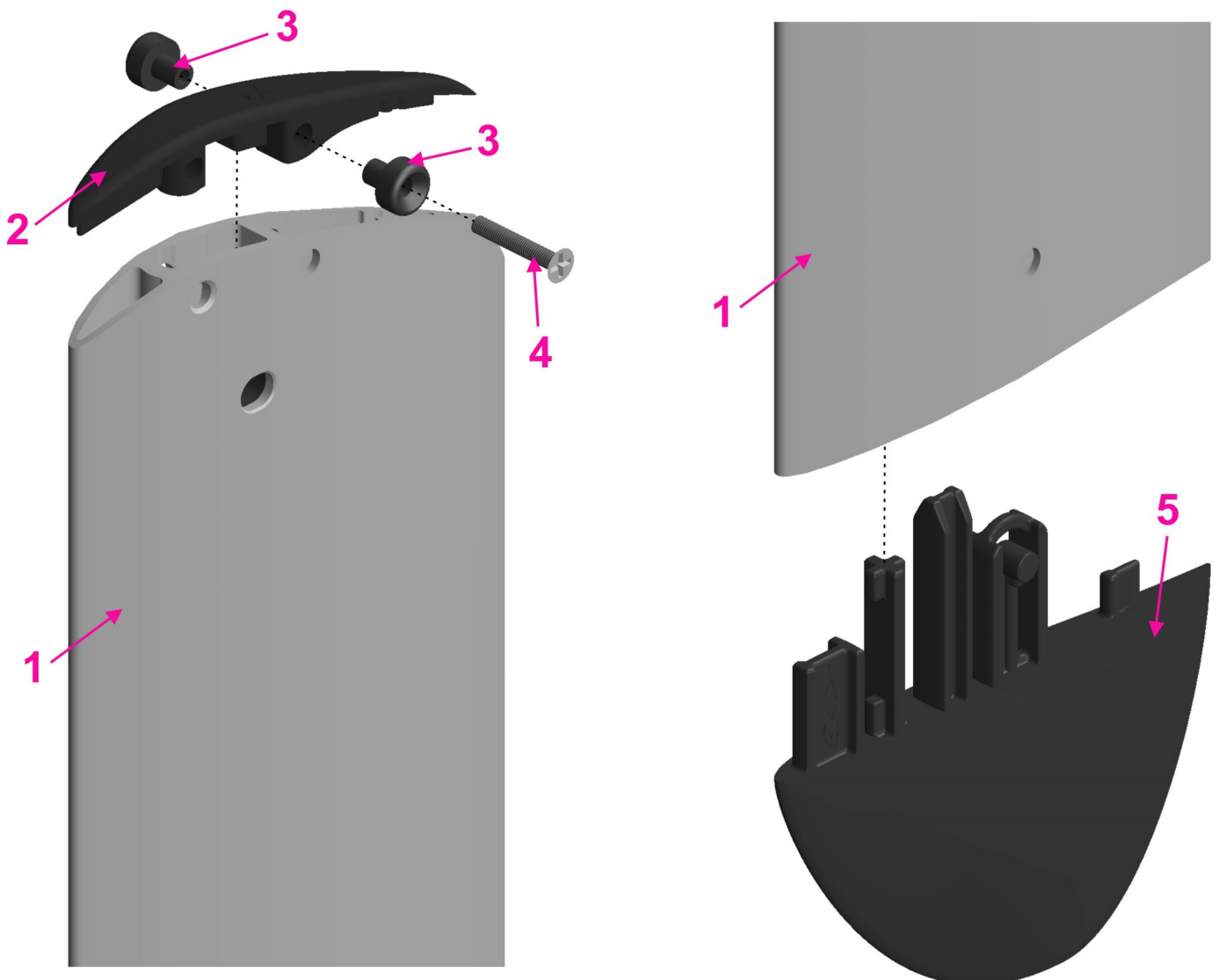
# DAGGERBOARD G2

No.	Part No.	Description	QTY
	S-DV-G2	Daggerboard Vertical G2 Complete	
1	S-DV-G2E	Daggerboard Vertical G2 Extrusion	1
2	SN-DV-G2-TC	Daggerboard Top Cover G2	1
3	B06X30CSH	M6 x 30 CSK Slot Head	2
4	B06LN	M6 Nyloc Nut	2
5	SN-DV-BC253425.5	Bell Crank 25, 34-25.5	1
6	SN-DV-G2-BCB	Bellcrank Bush G2	2
7	SN-DV-PCM4	Pushrod Clevis M4 thread	1
8	SN-DV-PCR	Pushrod Clevis Rivet	1
9	S-DV-G2-4P	Pushrod 4mm	1
10	SN-DT-G2	Displacement Tip G2	1



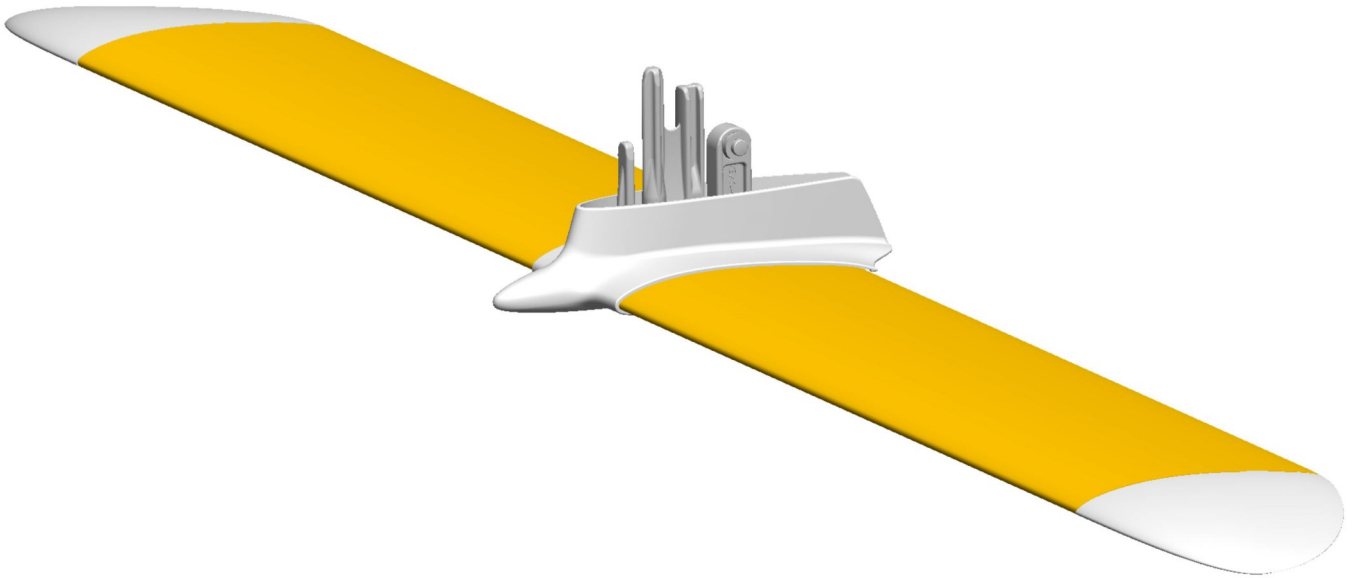
# RUDDER VERTICAL

No.	Part No.	Description	QTY
	S-RV-G1	Rudder Vertical G1 Complete	
1	S-RV-G1E	Rudder Vertical G1 Extrusion	1
2	SN-RV-G1-TC	Rudder Vertical Top Cover G1	1
3	SN-RV-RS	Rudder Stop Set	1
4	B04X25CPH	4x25mm SS 316 CSK Phillips Head	1
5	SN-DT-G1	Displacement Tip G1	1

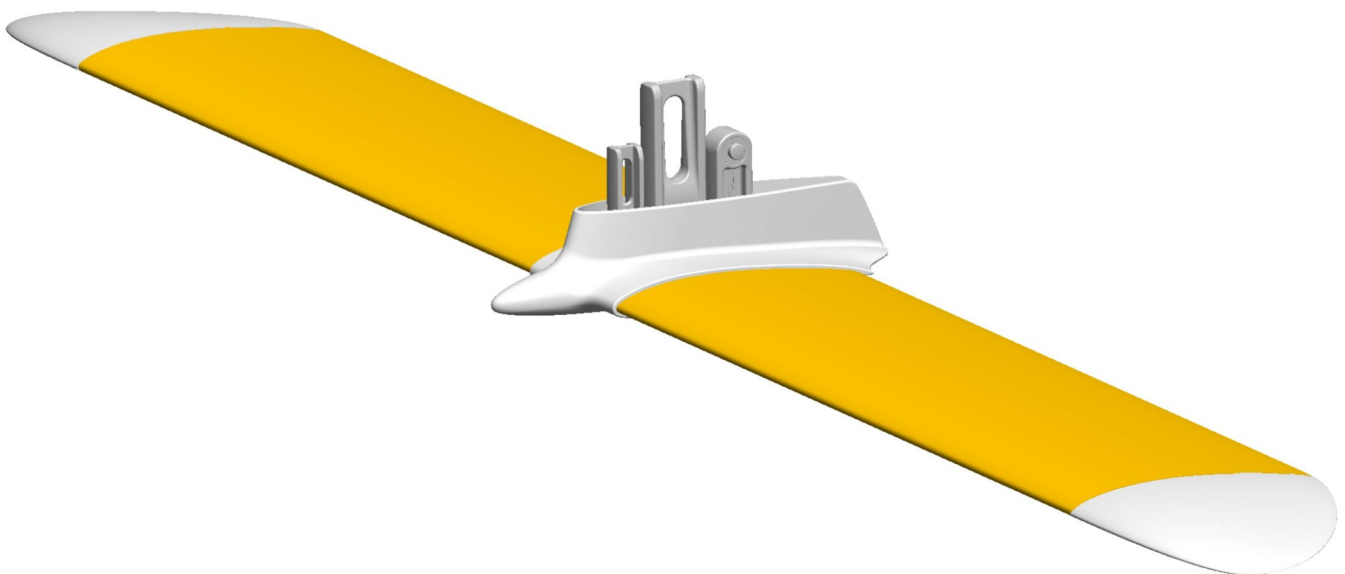


# MAIN LIFTING FOIL

**SN-MLF-G1**



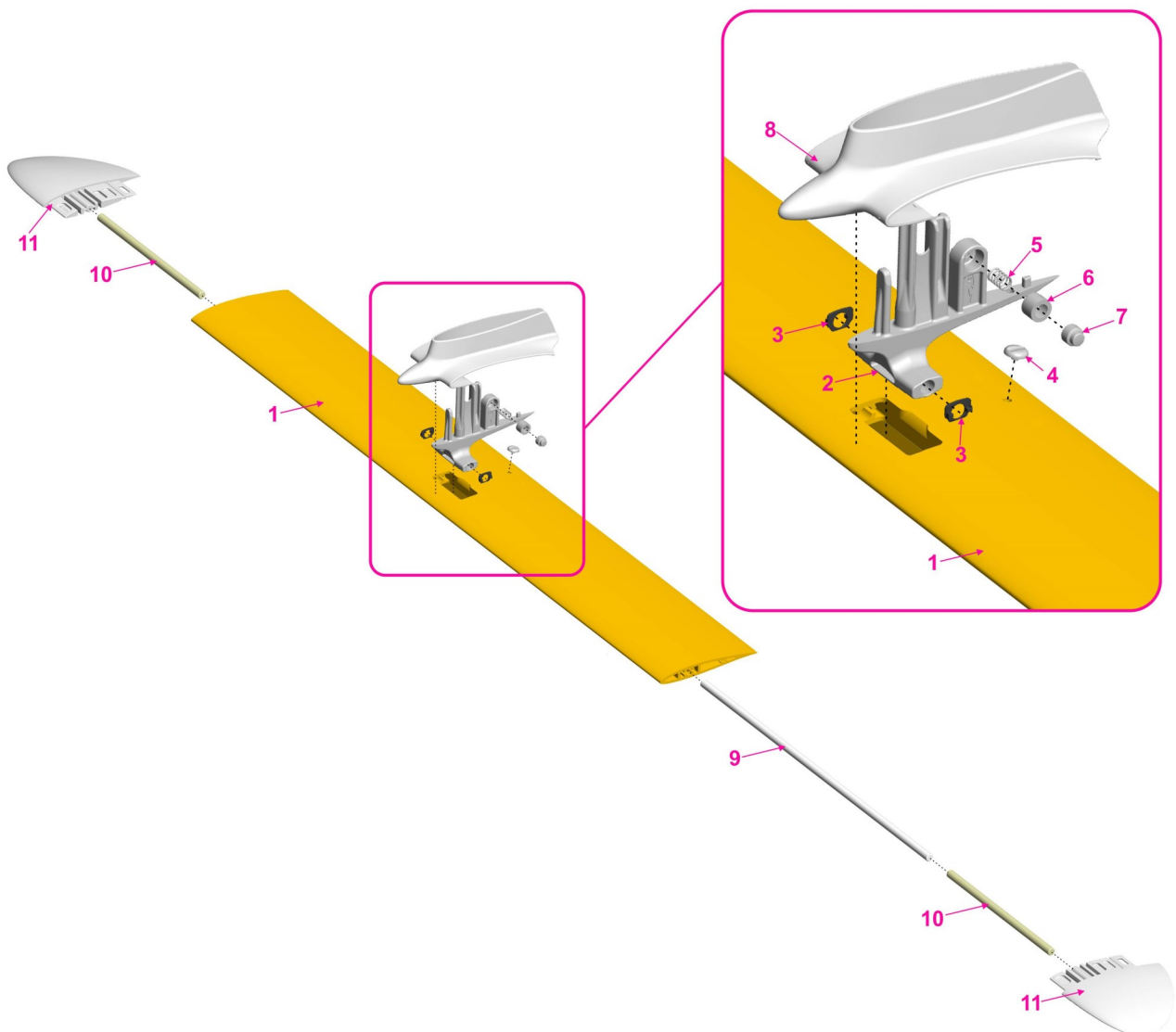
**SN-MLF-G2**





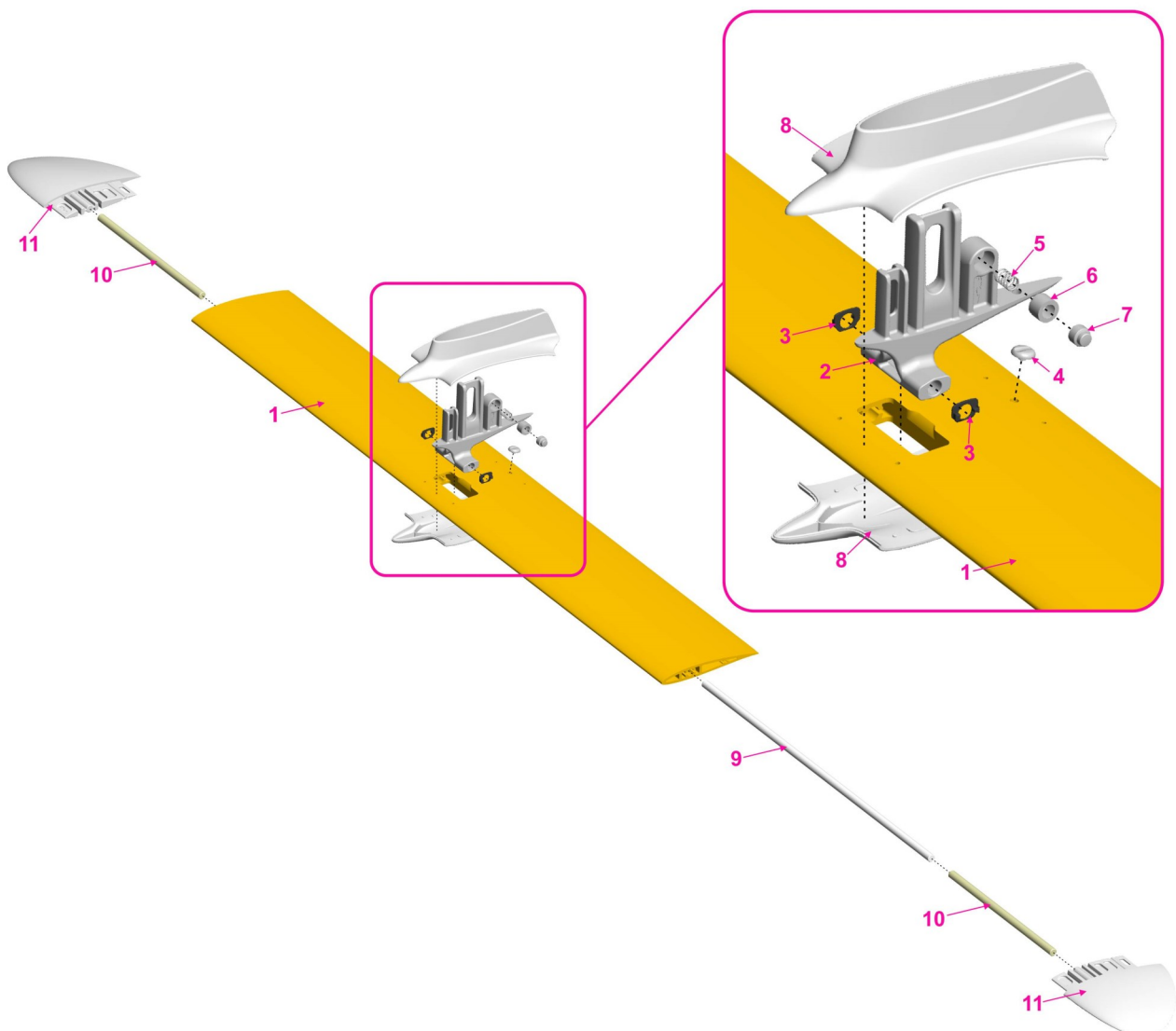
# MAIN LIFTING FOIL G1

No.	Part No.	Description	QTY
	SN-MLF-G1	Main Lifting Foil G1 Complete	
1	SN-MLF-830-G1	Main Lifting Foil G1 Extrusion	1
2	SN-MLF-G1-TJ	Main Lifting Foil G1 T-Joint	1
3	SN-MLF-TJW	T-joint Washer	2
4	SN-MLF-PR	Pushrod Rest	1
5	SN-LF-PB-S	Push Button Spring	1
6	SN-LF-PB-S	Push Button Slug	1
7	SN-LF-PB	Push Button	1
8	SN-MLF-G1-FF	Main Lifting Foil G1 Fairing	1
9	SN-MLF-AR	Axle Rod	1
10	SN-MLF-FR	Filler Rod	2
11	SN-MLF-WT	Main Lifting Foil Wing Tip - Port and Starboard	1

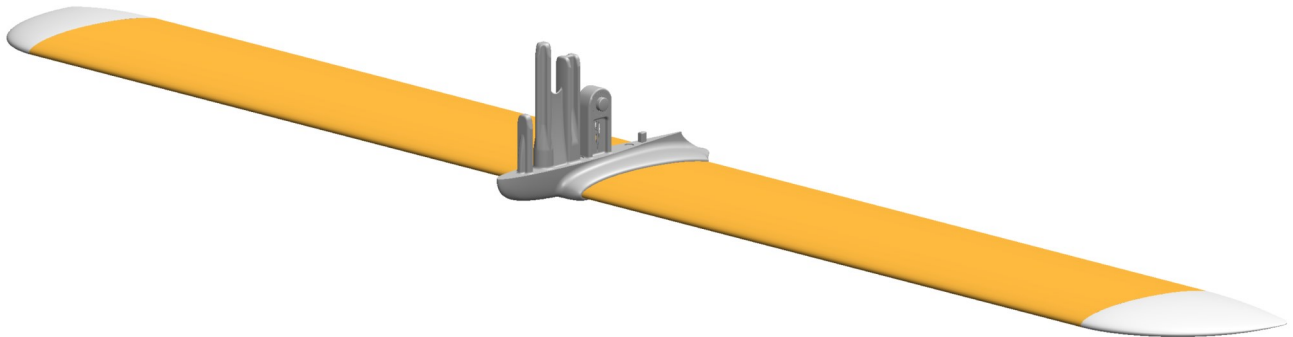


# MAIN LIFTING FOIL G2

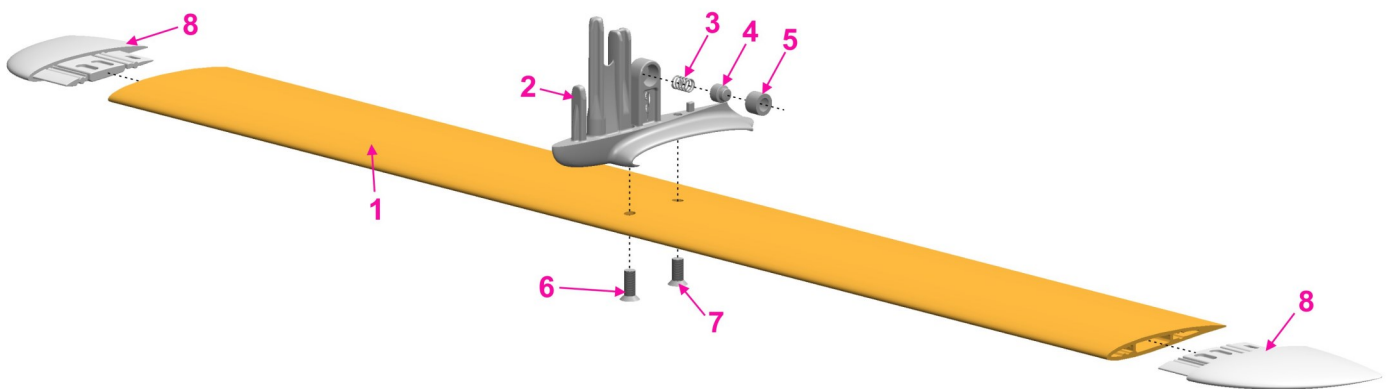
No.	Part No.	Description	QTY
	SN-MLF-G2	Main Lifting Foil G2 Complete	
1	SN-MLF-830	Main Lifting Foil Extrusion	1
2	SN-MLF-G2-TJ	Main Lifting Foil G2 T-Joint	1
3	SN-MLF-TJW	T-joint Washer	2
4	SN-MLF-PR	Pushrod Rest	1
5	SN-LF-PB-S	Push Button Spring	1
6	SN-LF-PB-S	Push Button Slug	1
7	SN-LF-PB	Push Button	1
8	SN-MLF-G2-FF	Main Lifting Foil G2 Fairing - Top and Bottom	1
9	SN-MLF-AR	Axle Rod	1
10	SN-MLF-FR	Filler Rod	2
11	SN-MLF-WT	Main Lifting Foil Wing Tip - Port and Starboard	1



# RUDDER LIFTING FOIL

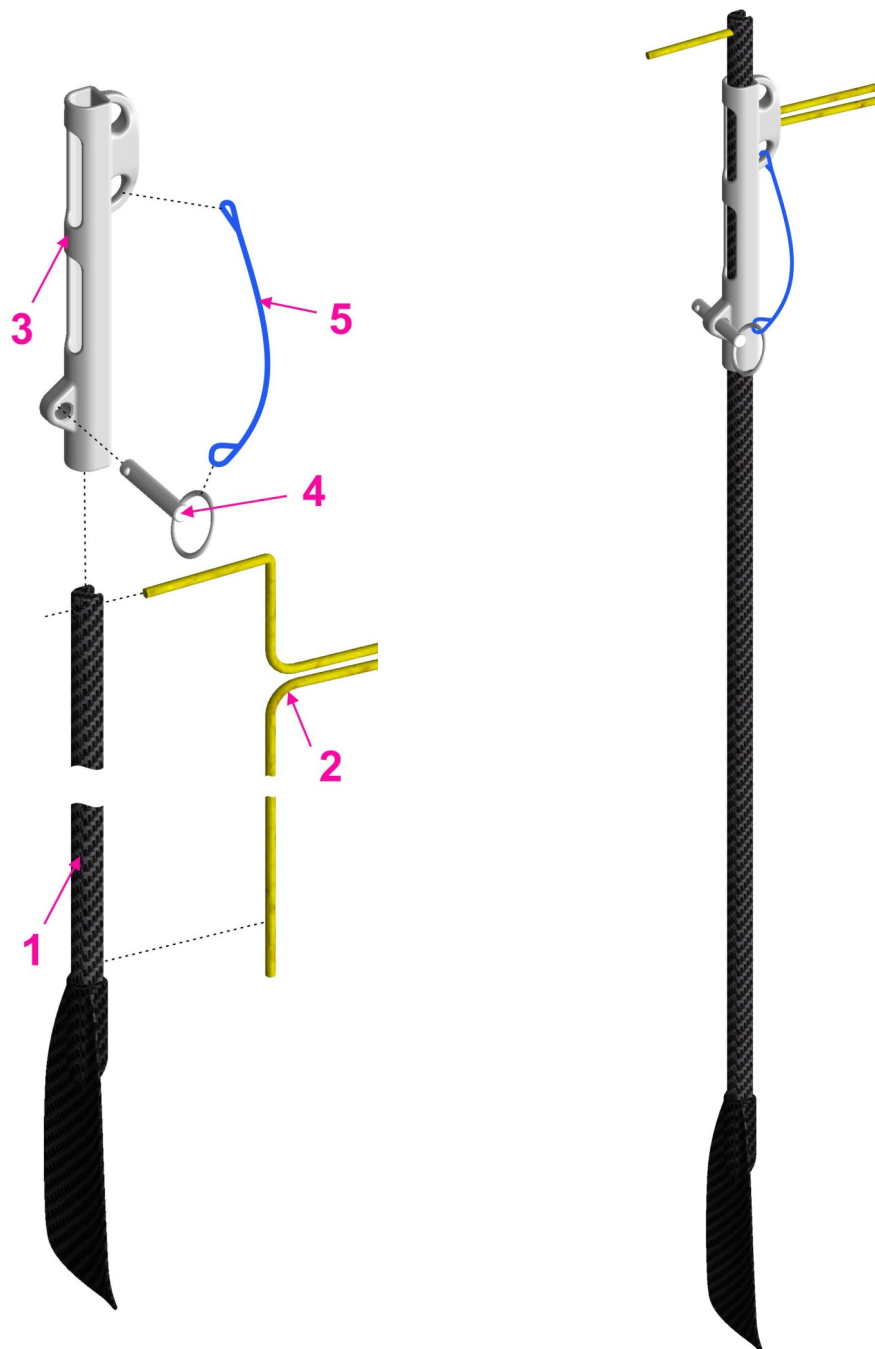


No.	Part No.	Description	QTY
	SN-RLF-G1	Rudder Lifting Foil Complete	
1	SN-RLF-750	Rudder Lifting Foil Extrusion	1
2	SN-RLF-G1-TJ	Rudder Liftng Foil T-joint	1
3	SN-LF-PB-S	Push Button Spring	1
4	SN-LF-PB	Push Button	1
5	SN-LF-PB-S	Push Button Slug	1
6	B06X16	M6 x 16mm CSK Phillips Head	1
7	B06X14	M6 x 14mm CSK Phillips Head	1
8	SN-RLF-WT	Rudder Lifting Foil Wing Tips - Port and Starboard	1



# WAND ASSEMBLY

No.	Part No.	Description	QTY
	S-WD-A	Skeeta Wand Assembly	
1	S-WD-SP	Skeeta Wand Shaft and Paddle	1
2	R-S-WD	Skeeta Wand Rope	1
3	SN-WD-T	Wand Tube	1
4	SNT-S440	1/4" x 38mm Fast Pin	1
5	R-SN-WTR	Wand Tube Rope	1



# RUDDERBOX ASSEMBLY

## Adjustable Knob Version

S-RBA-TK



## Adjustable Tiller Version

S-RBA-TT



# RUDDERBOX ASSEMBLY

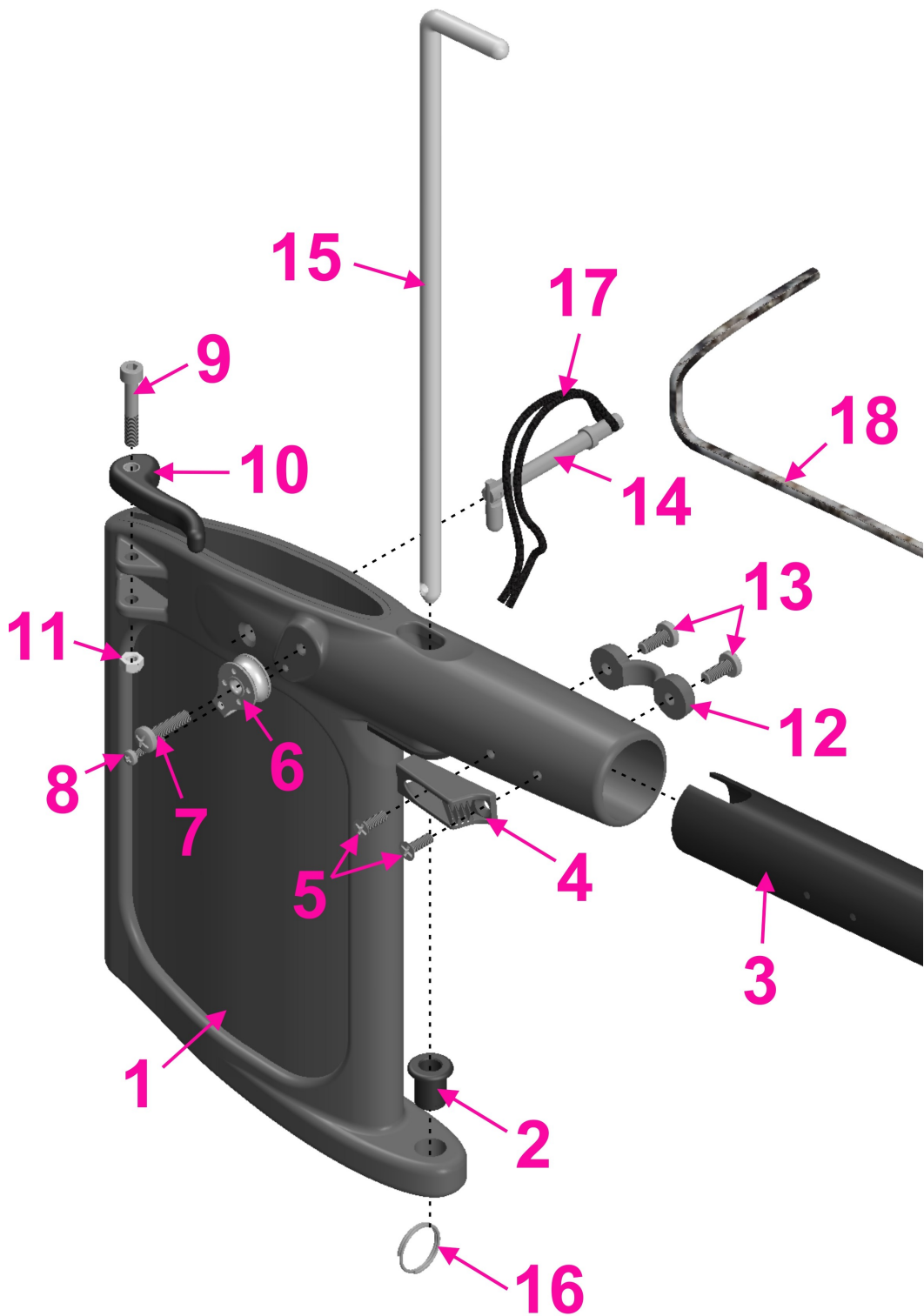
## - Rudderbox



No.	Part No.	Description	QTY
1	SN-RB-C	Rudderbox	1
2	SN-RB-B	Bottom Gudgeon Bush	1
3	S-RBA-T900	Adjustable Rudderbox Tiller	1
3	S-RB-T900	Rudderbox tiller—Non-Adjustable	
4	C268AN	Clamcleat Racing Micros Hard Anodised	1
5	B04X10CPH	M4 x 10 CSK Phillips Head	2
6	RF666	S19 Block Loop Top	1
7	B05X20PPH	M5 x 20mm Pan Phillips Head	1
8	B03X16PPH	M3 x 16 Pan Phillips Head	1
9	B05X30SHCS	M5 x 30 SHCS	1
10	SN-TC	Toggle clamp	1
11	B05LN	M5 Nyloc Nut	1
12	PNP48	Plastic Saddle	1
13	B05X12PPH	M5 x 12 Pan Phillips Head	2
14	SN-FLP	Foil Lock Pin	1
15	SN-RB-RP	Rudder Pin	1
16	RF687	Split Cotter Pin 3/4" Diam.	1
17	R-SN-FLPSC	Foil Lock Pin Shockcord	1
18	R-S-RPDR	Rudder Pull Down Rope and shockcord	1

# RUDDERBOX ASSEMBLY

## - Rudderbox



# RUDDERBOX ASSEMBLY

## - Internal Components

Adjustable Knob Version

S-RBA-TK

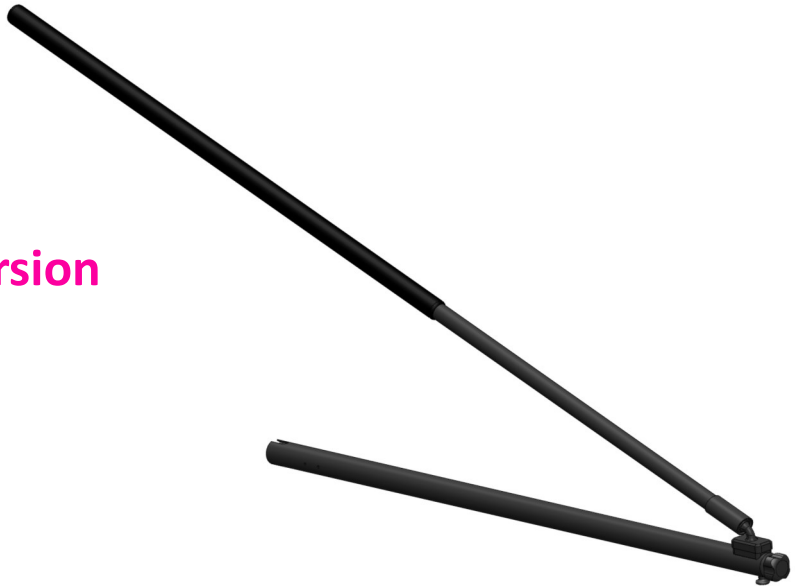




# RUDDERBOX ASSEMBLY

## - Internal Components

### Adjustable Knob Version

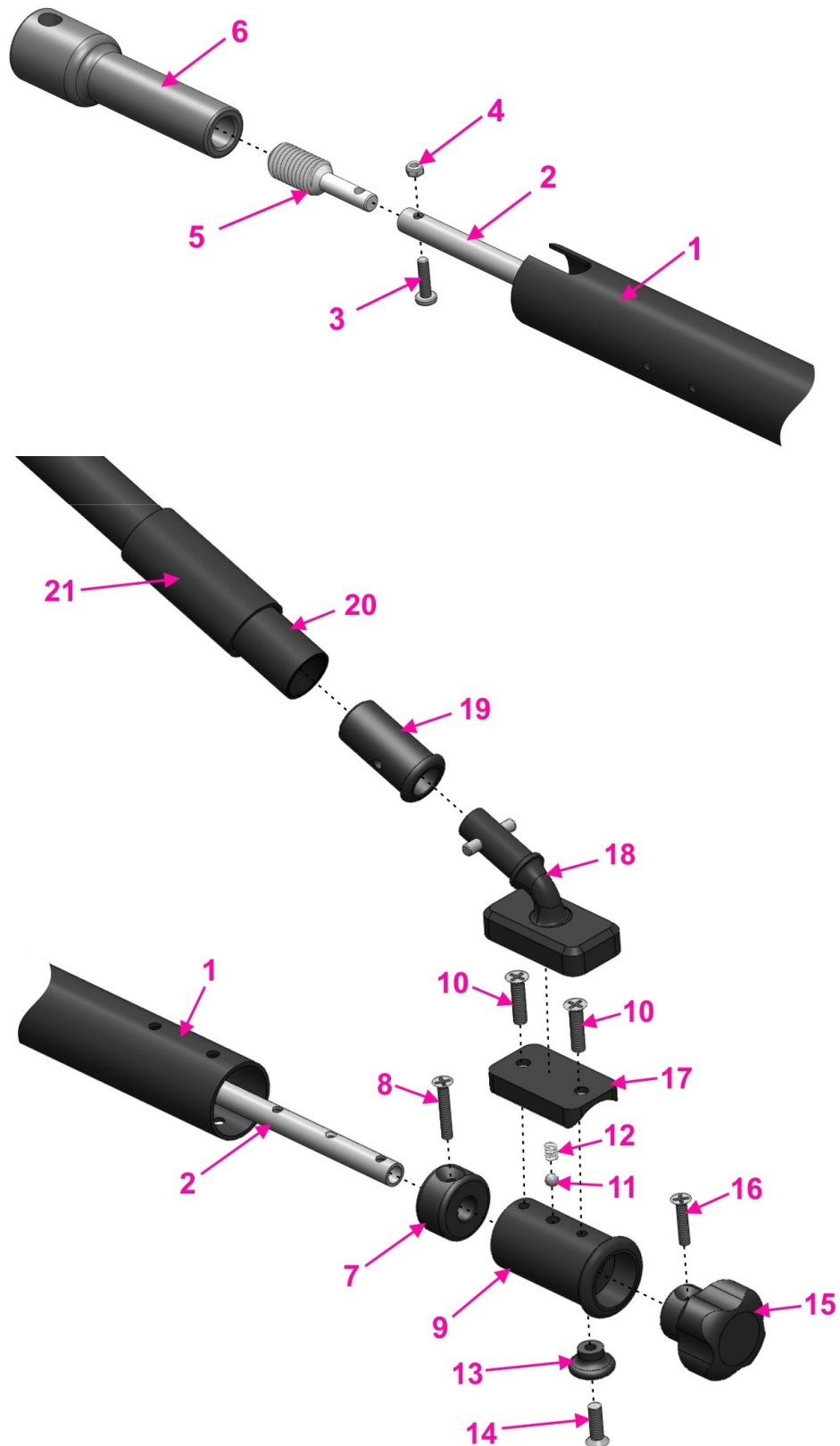


No.	Part No.	Description	QTY
1	S-RBA-T900	Adjustable Rudderbox Tiller	1
2	S-RBA-ITT	Inner Tiller Tube	1
3	B04X16PPH	M4 x 16 Pan Phillips Head	1
4	B04LN	M4 Nyloc Nut	1
5	SN-RBA-GBS	Gudgeon Bush Screw	1
6	SN-RBA-GTB	Gudgeon Tiller Bush	1
7	SN-RBA-TS	Tube Stopper	1
8	B04X25CPH	M4 x 25 CSK Phillips Head	1
9	SN-RBA-TEP	Tiller End Plug	1
10	B05X20CPH	M5 x 20 CSK Phillips Head	2
11	SN-RBA-5B	5mm Ball	1
12	SN-RBA-BS	Ball Spring	1
13	SAW-25105A	Cord Button	1
14	B05X16CPH	M5 x 16 CSK Phillips Head	1
15	SN-RBA-TK	Twist Knob	1
16	B04X20CPH	M4 x 20 CSK Phillips Head	1
17	RF3136	Round tiller adapter	2
18	RF3133	Urethane Universal Joint	1
19	SN-RBA-TEBP	Tiller Extension Base Plug	1
20	S-RB-TE	Tiller Extension with Grip	1
21	SN-RB-TEHS	Tiller Extension Heat Shrink	1

# RUDDERBOX ASSEMBLY

## - Internal Components

### Adjustable Knob Version



# RUDDERBOX ASSEMBLY

## - Internal Components

Adjustable Tiller Version

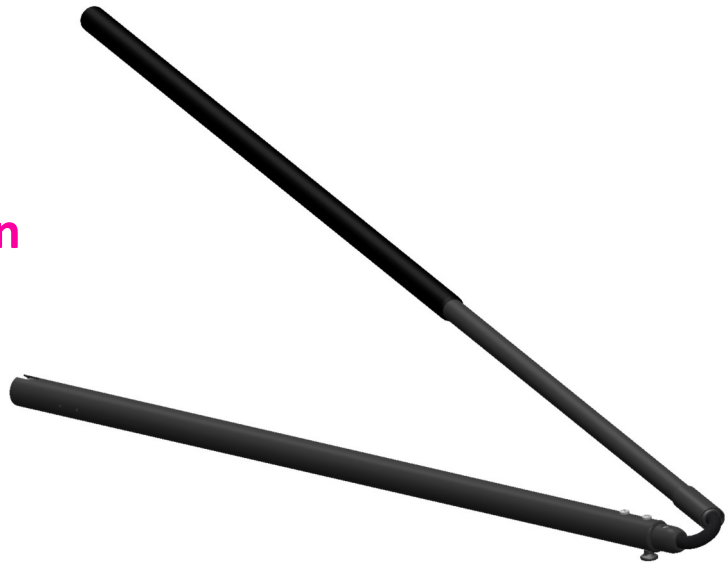
S-RBA-TT



# RUDDERBOX ASSEMBLY

## - Internal Components

### Adjustable Tiller Version

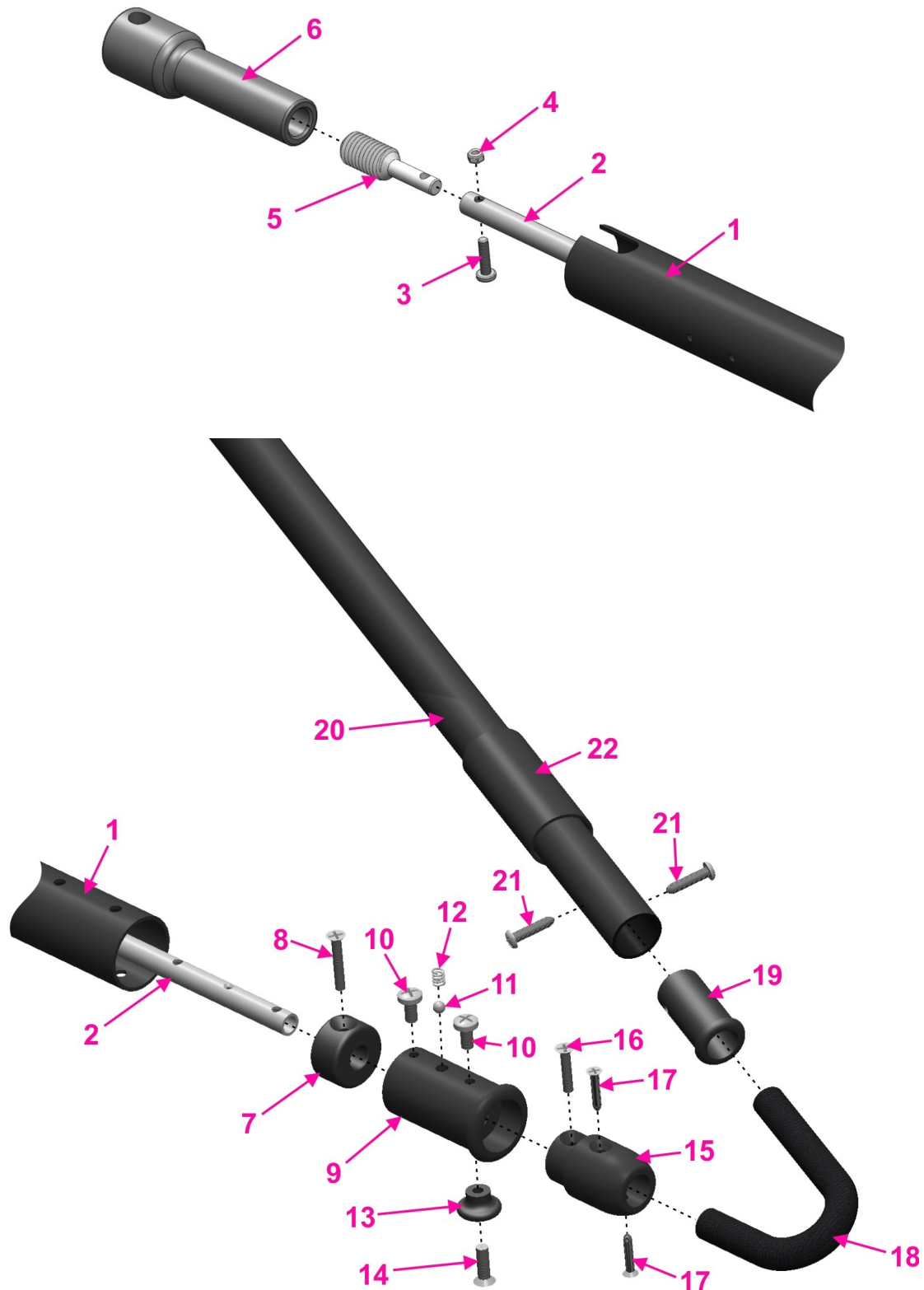


No.	Part No.	Description	QTY
1	S-RBA-T900	Adjustable Rudderbox Tiller	1
2	S-RBA-ITT	Inner Tiller Tube	1
3	B04X16PPH	M4 x 16 Pan Phillips Head	1
4	B04LN	M4 Nyloc Nut	1
5	SN-RBA-GBS	Gudgeon Bush Screw	1
6	SN-RBA-GTB	Gudgeon Tiller Bush	1
7	SN-RBA-TS	Tube Stopper	1
8	B04X25CPH	M4 x 25 CSK Phillips Head	1
9	SN-RBA-TEP	Tiller End Plug	1
10	B05X10PPH	M5 x 10 Pan Phillips Head	2
11	SN-RBA-5B	5mm Ball	1
12	SN-RBA-BS	Ball Spring	1
13	SAW-25105A	Cord Button	1
14	B05X16CPH	M5 x 16 CSK Phillips Head	1
15	SN-RBA-UJC	Uni Joint Connector	1
16	B04X20CPH	M4 x 20 CSK Phillips Head	1
17	B6GAX34CPH	6GA X 3/4 CSK Phillips Head	2
18	SN-RBA-UJ	Uni Joint	1
19	SN-RBA-TEBP	Tiller Extension Base Plug	1
20	S-RB-TE	Tiller Extension with Grip	1
21	B8GAX34PPH	8GA x 3/4 Pan Phillips Head	2
22	SN-RB-TEHS	Tiller Extension Heat Shrink	1

# RUDDERBOX ASSEMBLY

## - Internal Components

### Adjustable Tiller Version



# BAGS AND COVERS

No.	Part No.	Description
1	S-C-HB	Padded Hull Bag
2	S-C-HCWO	Hull Cover
3	S-C-FB145	Foil Bag 145cm
4	S-C-MB365	Mast Bag 365cm
5	S-C-ASB	Spreader Bag





We reserve the right to make further changes and modifications to our products or corresponding documents at any time to maintain the functionality, value, and quality of the product.

Skeeta Watersports Pty Ltd  
Factory 16/59-65 Keys Rd  
Moorabbin, Victoria  
Australia 3189

[www.skeetawatersports.com](http://www.skeetawatersports.com)