

NIKKI PARTS CATALOGUE



Contact Us:

E: sales@skeetawatersports.com
www.skeetawatersports.com

Webshop:

www.skeetawatersports.com/shop

INDEX

This catalogue is to assist you finding specific parts and their names and numbers.

If you are unsure what you need, please contact us.

If you need parts, please visit the Webshop, Contact us or your Distributor.

Contact Us:

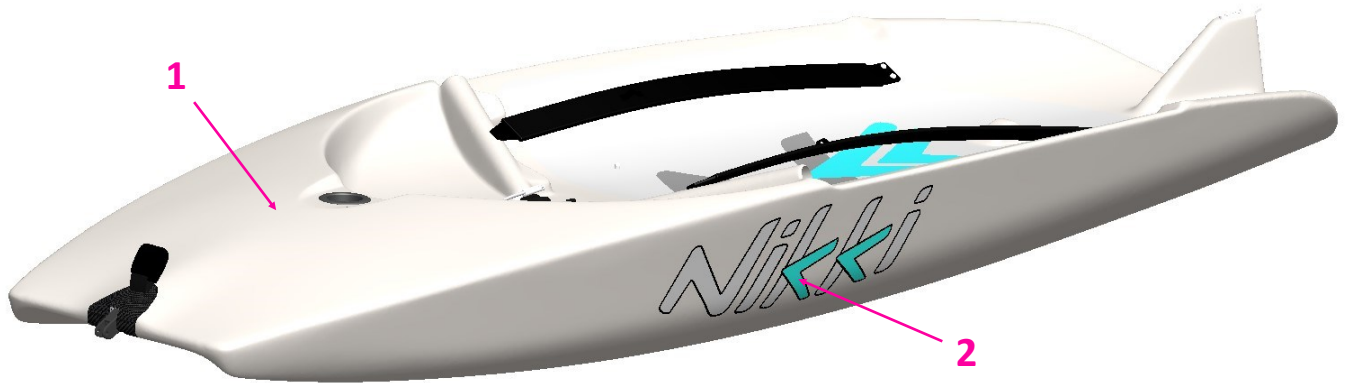
E: sales@skeetawatersports.com
www.skeetawatersports.com

Webshop:

www.skeetawatersports.com/shop

Page No.	Click on the Page Name below
1	Hull Assembly
3	Section 1 — Bow Area
4	Section 2 — Mast Area
7	Section 3 — Centre Case Area
10	Section 4 — Deck Area
12	Section 5 — Stern Area
14	Sails
15	Mast
17	Boom
19	Wings
25	Daggerboard
28	Rudder Vertical
29	Main Lifting Foil
32	Rudder Lifting Foil
33	Wand Assembly
34	Rudderbox Assembly
35	Rudderbox
37	Internal Components
43	Bags and Covers

HULL ASSEMBLY



No.	Part No.	Description
1	N-HULLMF	Nikki Hull with main fittings
2	ST-N-HS	Nikki Hull Sticker

HULL ASSEMBLY

Section 1
- Bow Area

Section 2
- Mast Step Area

Section 3
- Centre Case Area

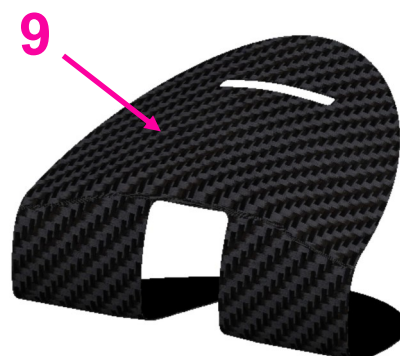
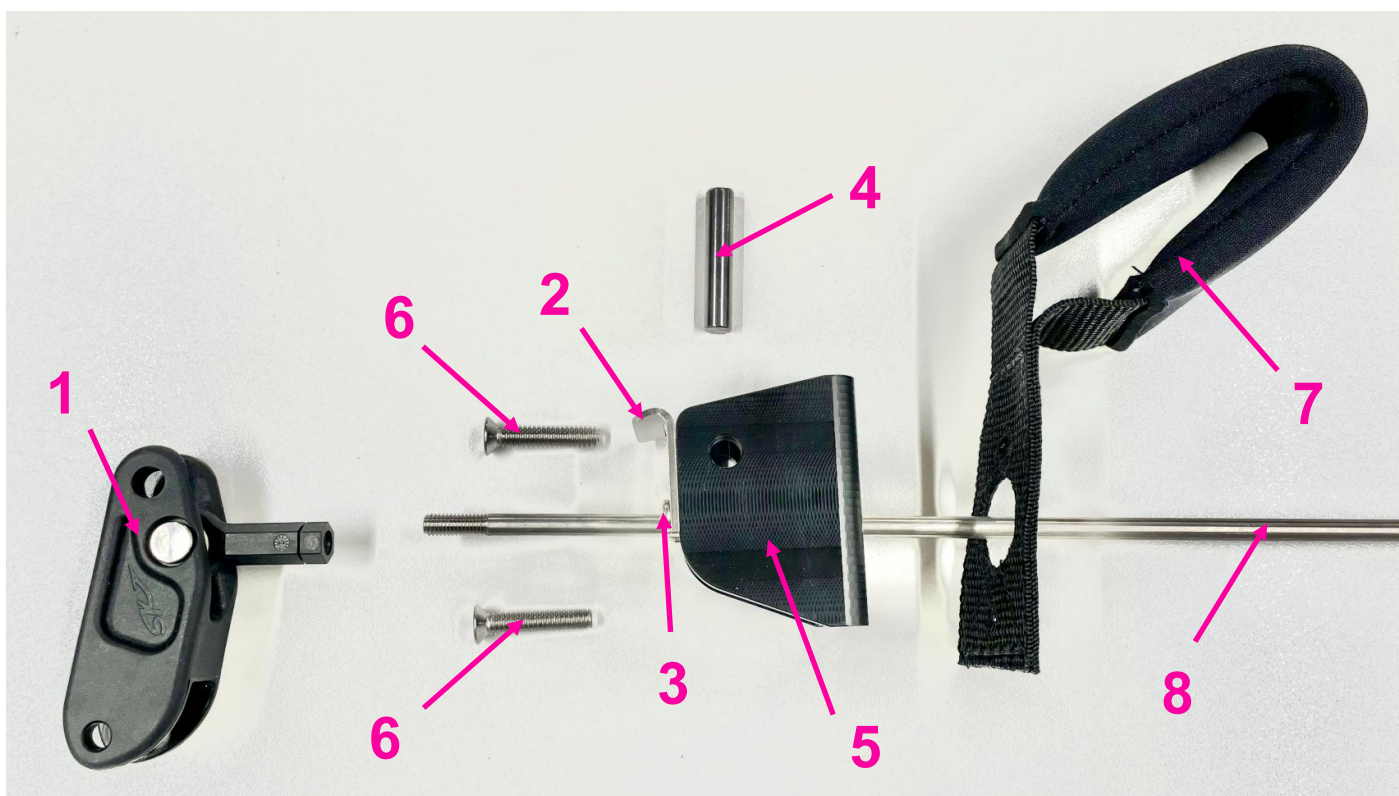
Section 4
- Deck Area

Section 5
- Stern Area



Section 1 – Bow Area

No.	Part No.	Description	QTY
1	N-BMRJA	Bow Mech and Rose Joint Assembly	1
2	SN-BM-SP	Bow mech stop plate	1
3	B8GAX12PPH	8GA x 1/2" SS 316 Pan Phillips Head Bolt	2
4	SN-BM-PR8	Bow Mech Pivot Rod 8mm	1
5	SN-BM-PB	Bow Mech Pivot Block	1
6	B14X114CPH	1/4" x 1" SS 316 CSK Phillips Head Bolt	2
7	N-C-BH	Nikki Bow Handle	1
8	N-HPR6	Nikki 6mm Horizontal Pushrod	1
9	N-H-CBC	Nikki Carbon Bow Cover	1

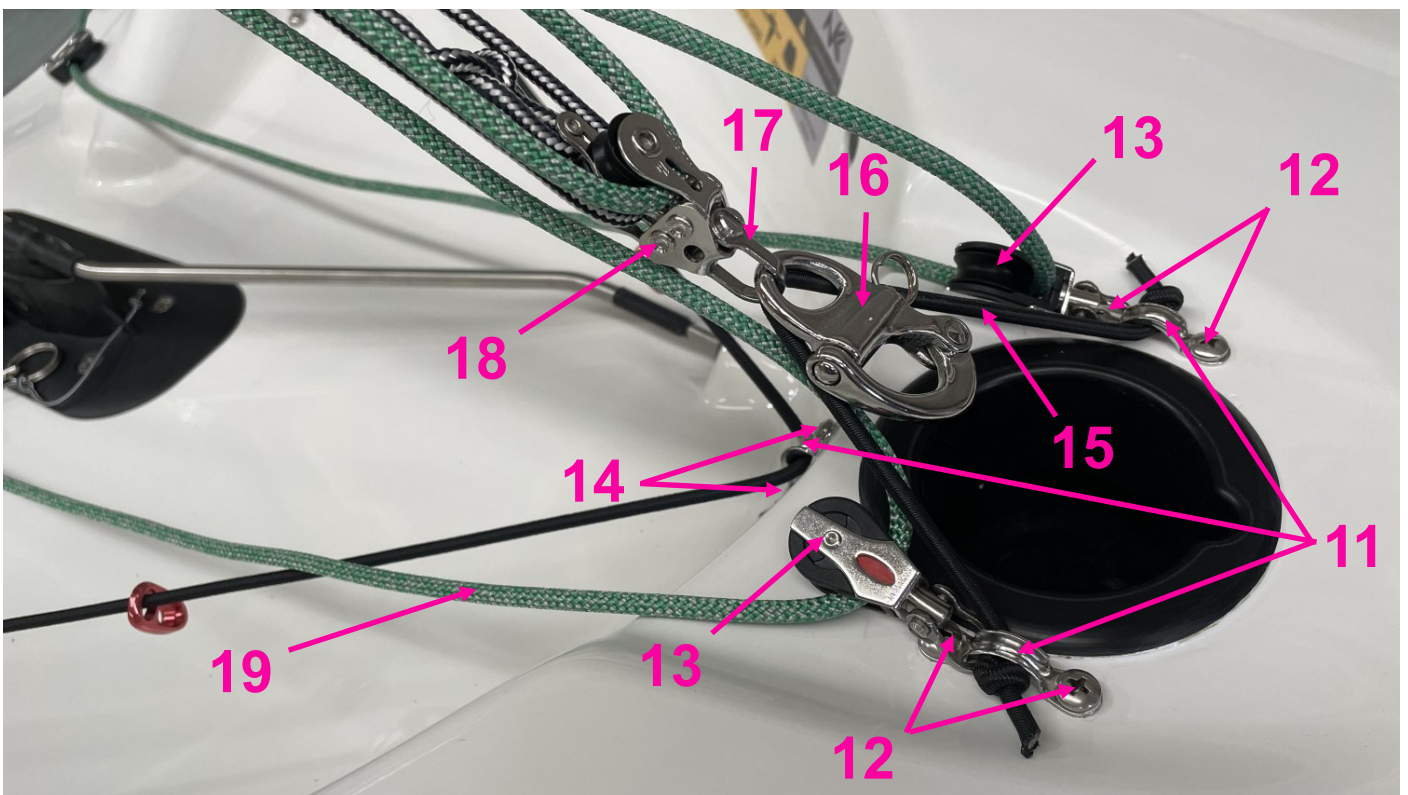
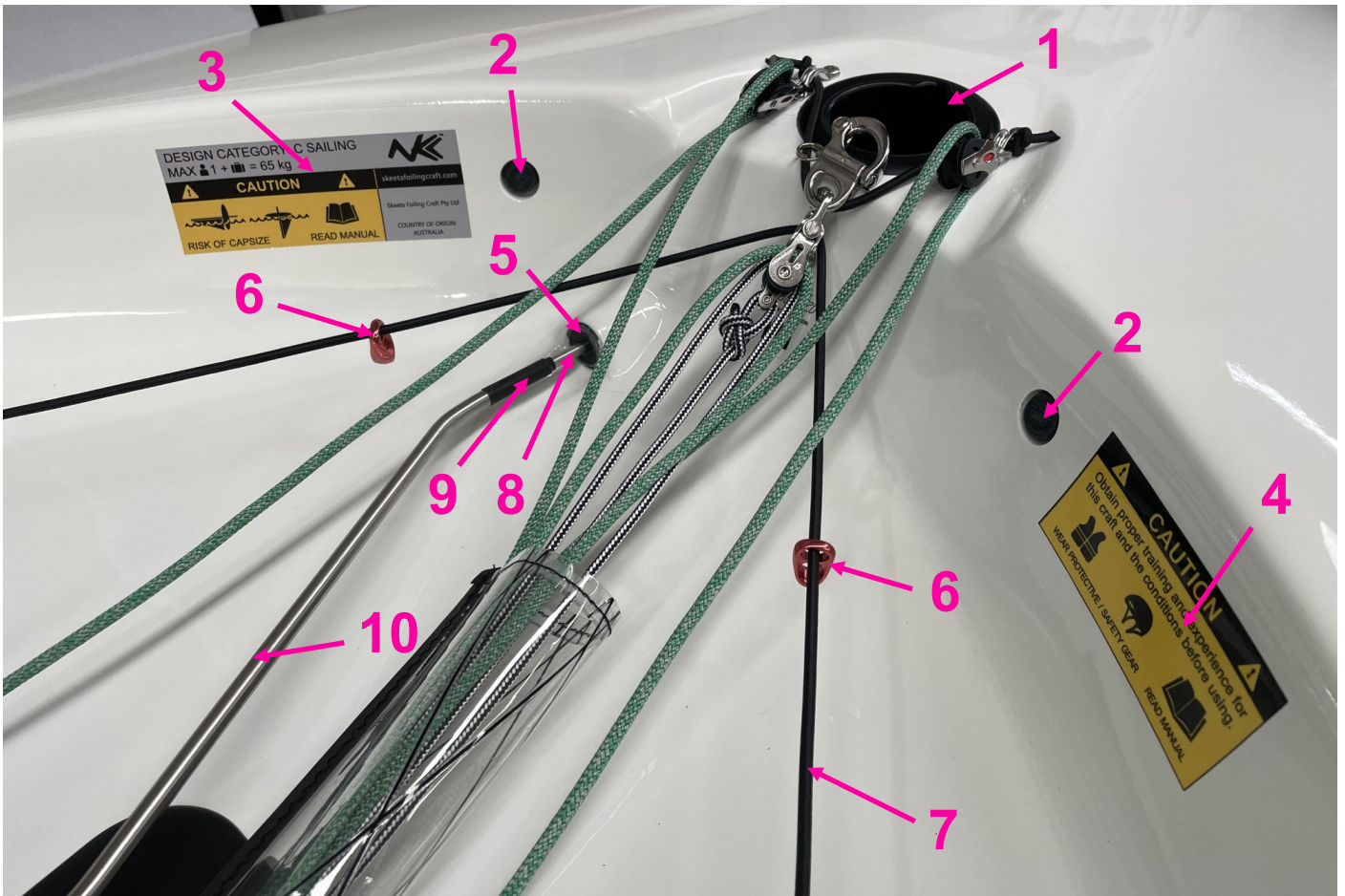


Section 2 – Mast Area

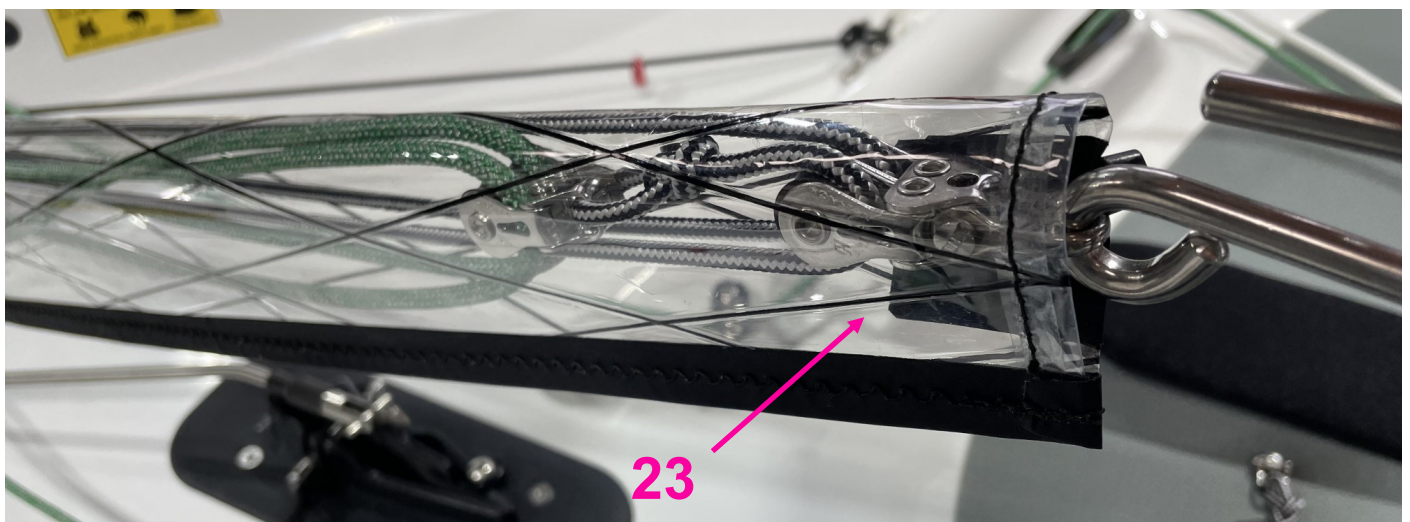
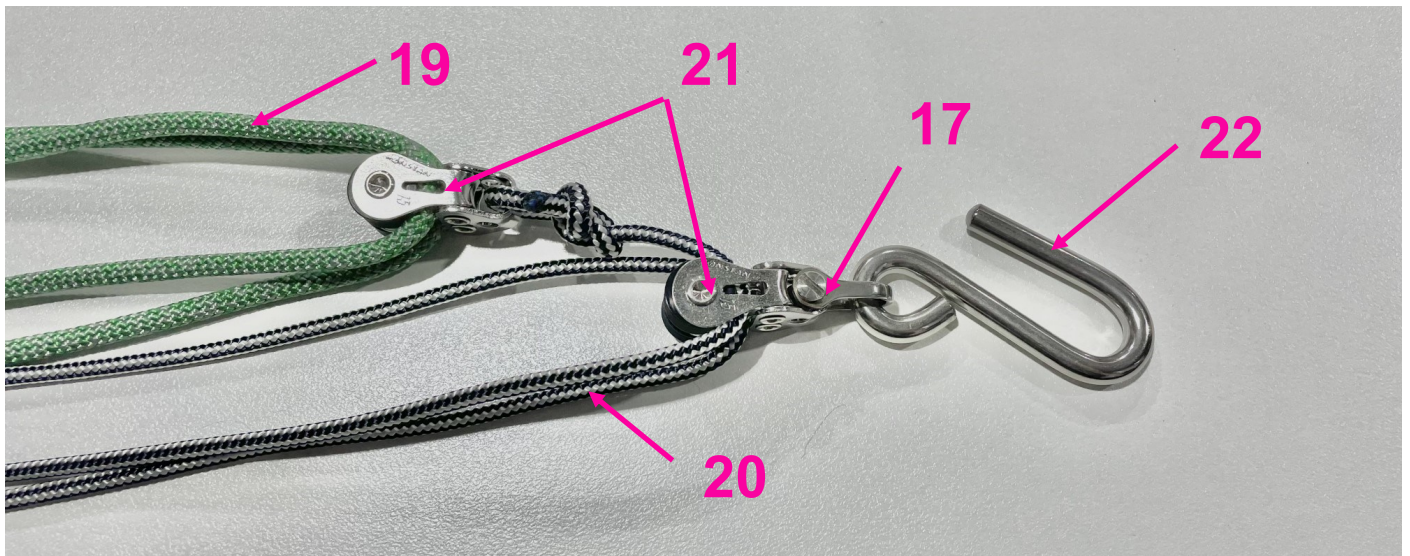


No.	Part No.	Description	QTY
1	N-H-MTTC	Nikki Hull Mast Tube Top Collar	1
2	12072977	Gore Tex Air Valve	2
3	ST-N-S	Sticker Nikki Spec 150mm x 55mm	1
4	ST-SN-H-CA	Sticker Caution Hull 100mm x 47.5mm	1
5	SN-H-BTEB	Bow Tube End Bush	1
6	RF8080R	Ronstan Shock Red	2
7	R-N-WS4	Wand Shockcord 4mm x 1550mm	1
8	N-H-PR6	6mm Horizontal Pushrod	1
9	N-H-M6TB	M6 Turnbuckle	1
10	N-H-SLP8	8mm S-Link Pushrod	1
11	RF94A	Saddle Flared, 4.8mm	3
12	B316X34PPH	3/16" x 3/4" Pan Phillips Head Bolt	4
13	RF20100	S20 BB Block, Single swivel head	2
14	B8GAX12PPH	8GA x 1/2" Pan Phillips Head Screw	2
15	R-N-VMS	Vang Mast Shockcord 5mm x 300mm	1
16	RWB2478	Fixed snap shackles 55mm	1
17	RF615	Shackle D, Slotted Pin	2
18	RF15212	S15 BB Block, Double Becket	1
19	R-N-VC5	Vang Control 5mm x 5200mm	1
20	R-N-VC4	Vang Cascade 4mm x 2400mm	1
21	RF15202	S15 BB Block, Double	2
22	RF48A	S-Hook 6mm (1/4")	1
23	N-R-VS	Nikki Vang Sleeve	1

Section 2 – Mast Area



Section 2 – Mast Area

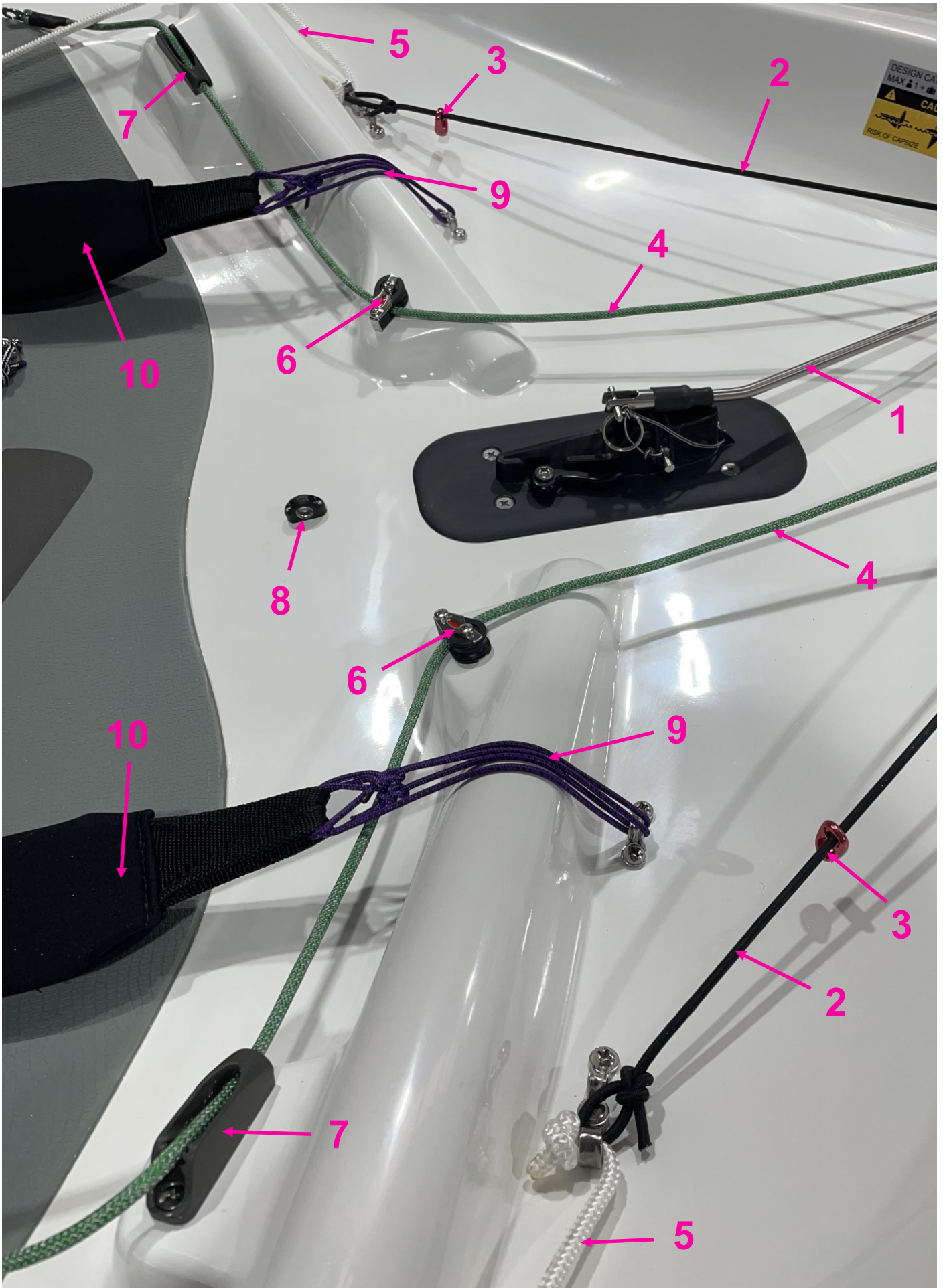


Section 3 – Centre Case Area

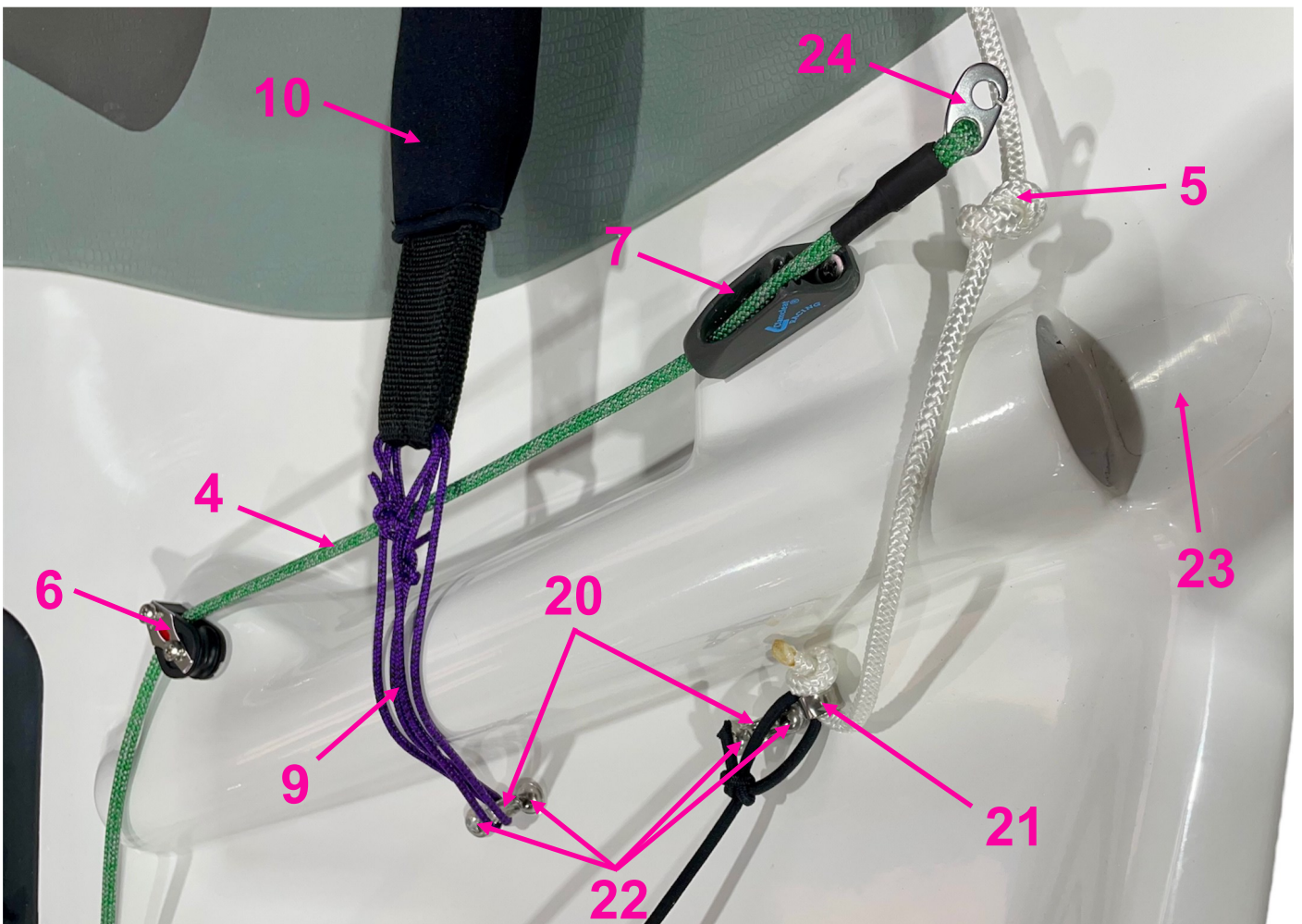
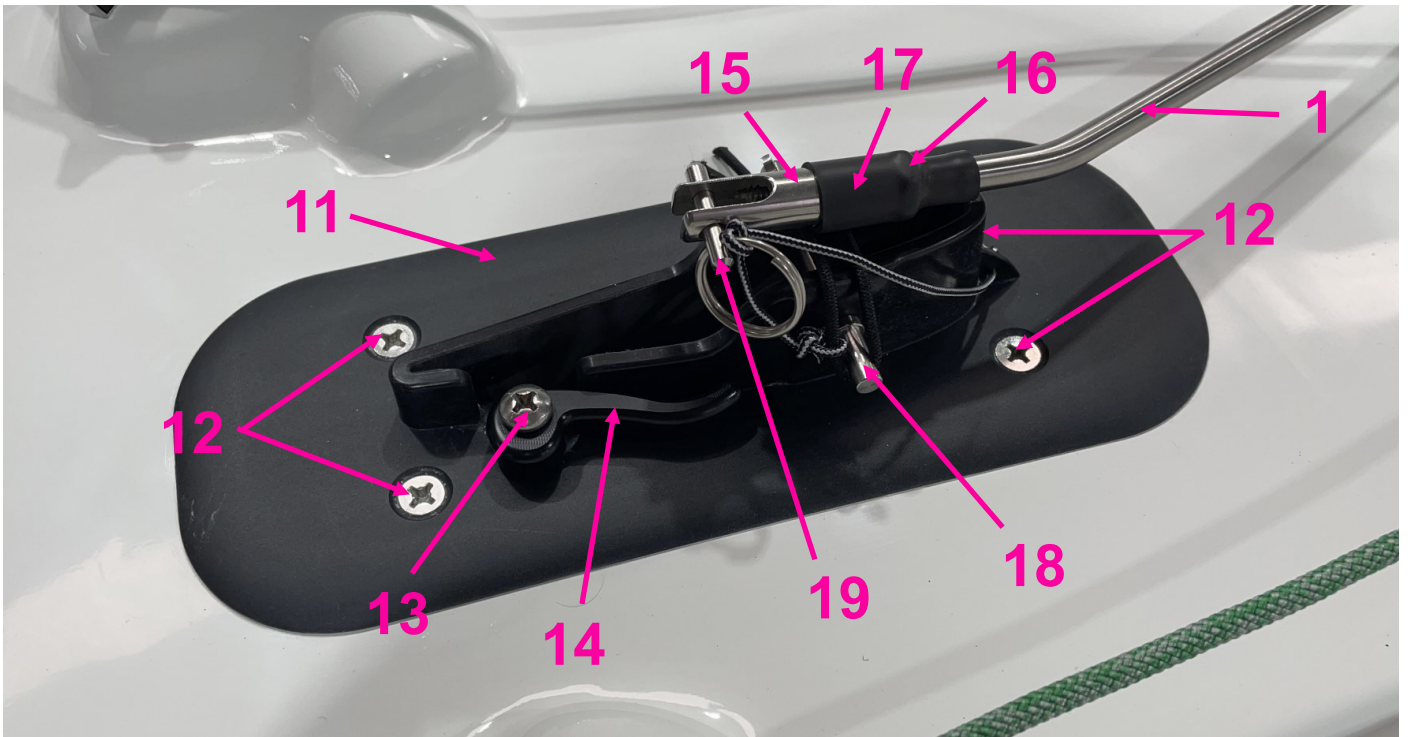


No.	Part No.	Description	QTY
1	N-H-SLP8	8mm S-Link Pushrod	1
2	R-N-WS4	Wand Shockcord 4mm x 1550mm	1
3	RF8080R	Ronstan Shock Red	2
4	R-N-VC5	Vang Control 5mm x 5200mm	1
5	R-N-RR	Righting Rope Set	1
6	RF20151	S20 BB Block, Single Cheek	2
7	C211 MK2 AN	Clamcleat Racing Junior Mk2 Hard Anodised	2
8	PNP120	Fairlead Stainless Lined, ID:6.5mm, Black	1
9	R-SN-HSR	Hiking Strap rope 3mm x 1000mm	2
10	N-C-HSS	Nikki Hiking Straps—port and starboard set	1
11	SN-H-G2-CCT	Gen2 centre case top	1
12	B14X2CPH	1/4" x 2" SS 316 CSK head Phillips MTS	4
13	B14X114PPH	1/4" x 1-1/4" SS 316 Pan head Phillips MTS	1
14	SN-TC14	Toggle Clamp 1/4"	1
15	N-H-PC8	Pushrod Clevis 8mm	1
16	B08HN	M8 Half Nut	1
17	HSR-13X50	13mm Resin Heat Shrink 50mm	1
18	SN-FLP	Foil Lock Pin	1
19	RF5310	Fast Pins 1/2" x 3/16" Diam.	1
20	RF94A	Saddle Flared, 4.8mm	4
21	RF1050	Eye Becket	2
22	12073345	M6 x 28mm self-tapping screw	8
23	N-H-CTWS	Chafe Tape - 4 piece Wing Set	1
24	RF536	Sister Clips	2

Section 3 – Centre Case Area



Section 3 – Centre Case Area

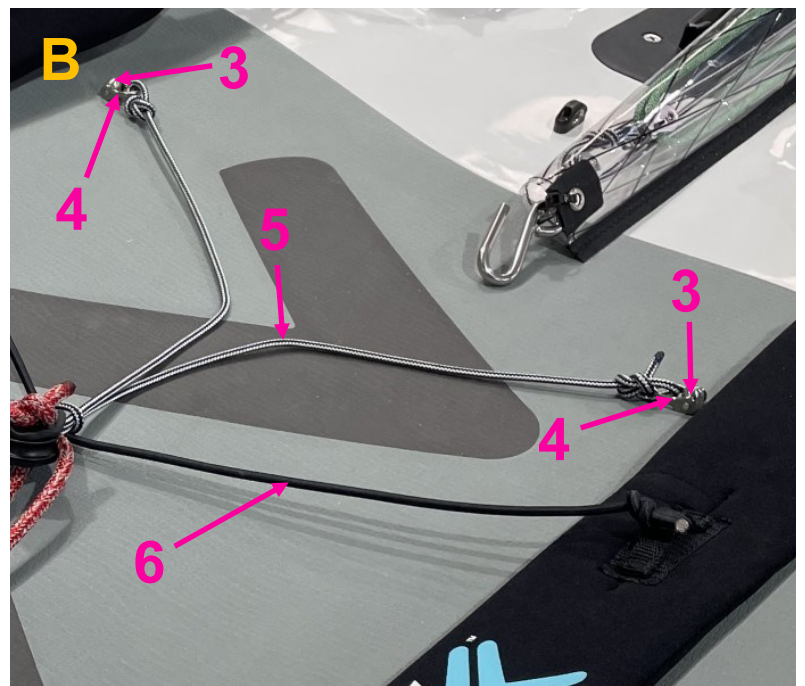
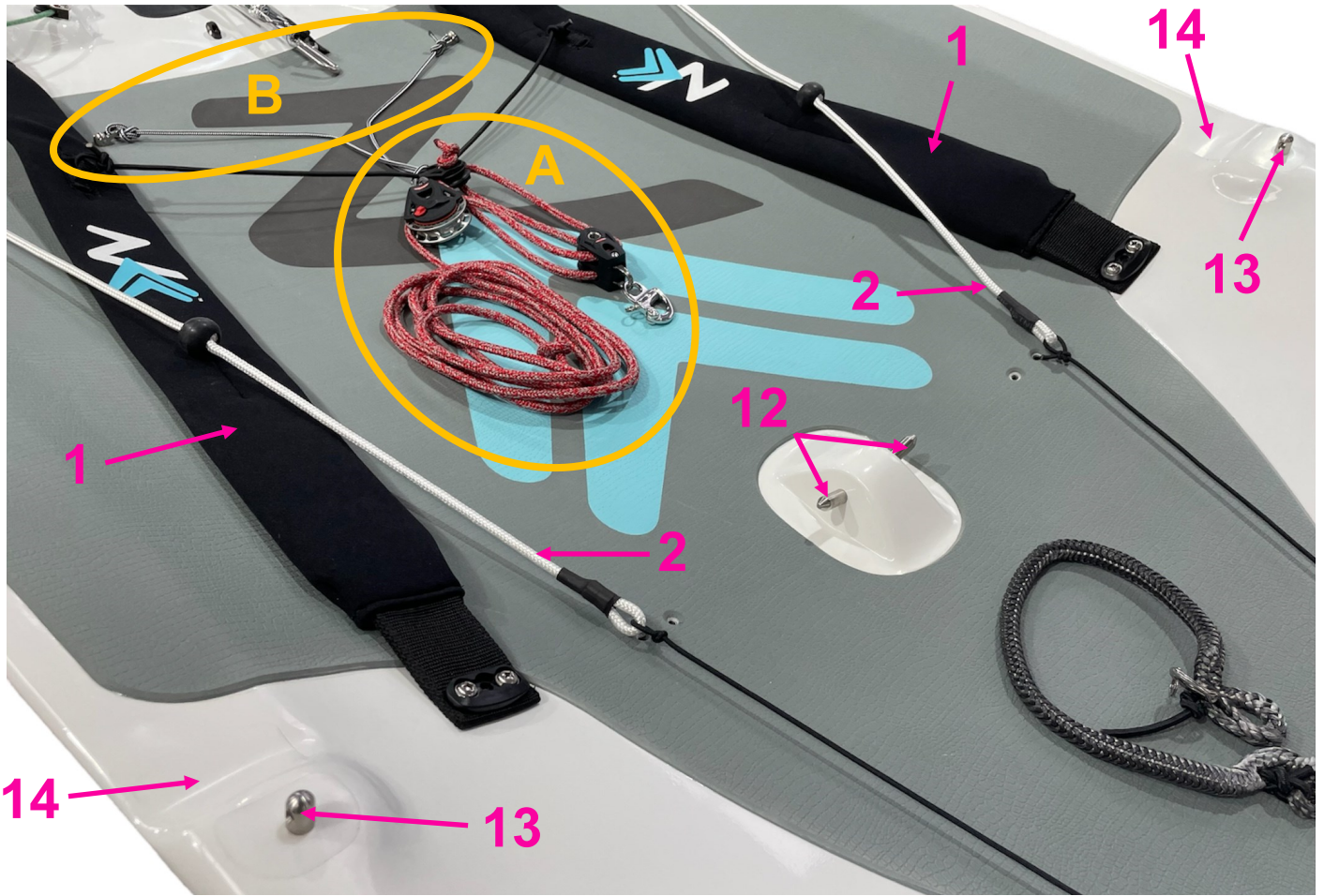


Section 4 – Deck Area



No.	Part No.	Description	QTY
1	N-C-HSS	Nikki Hiking Straps—port and starboard set	1
2	R-N-RR	Righting Rope Set	1
3	SN-H-BP	Bridle Pin	2
4	RF615	Shackle, D, Slotted Pin 5/32", L:15mm, W10mm	2
5	R-N-MSB	Mainsheet Bridle 4mm x 1100mm	1
6	R-N-HSS5	Hiking Strap Shockcord 5mm x 1100mm	1
7	R-N-MS7	Nikki Mainsheet 7mm x 4500mm	1
8	RF56101	S55 RT Orbit Block, Single, Link Head	1
9	RF35101	S30 BB Orbit Block, Single, Becket Option, Lashing	1
10	RF35202	S30 BB Orbit Block, Double, shackle head	1
11	RWB2478	Fixed snap shackles 55mm	1
12	SN-H-RWBIP	Rear Wing Bar Inner Pin	2
13	SN-H-RWBOLP	Rear Wing Bar Outer Lock Pin	2
14	N-H-CTWS	Chafe Tape - 4 piece Wing Set	1

Section 4 – Deck Area

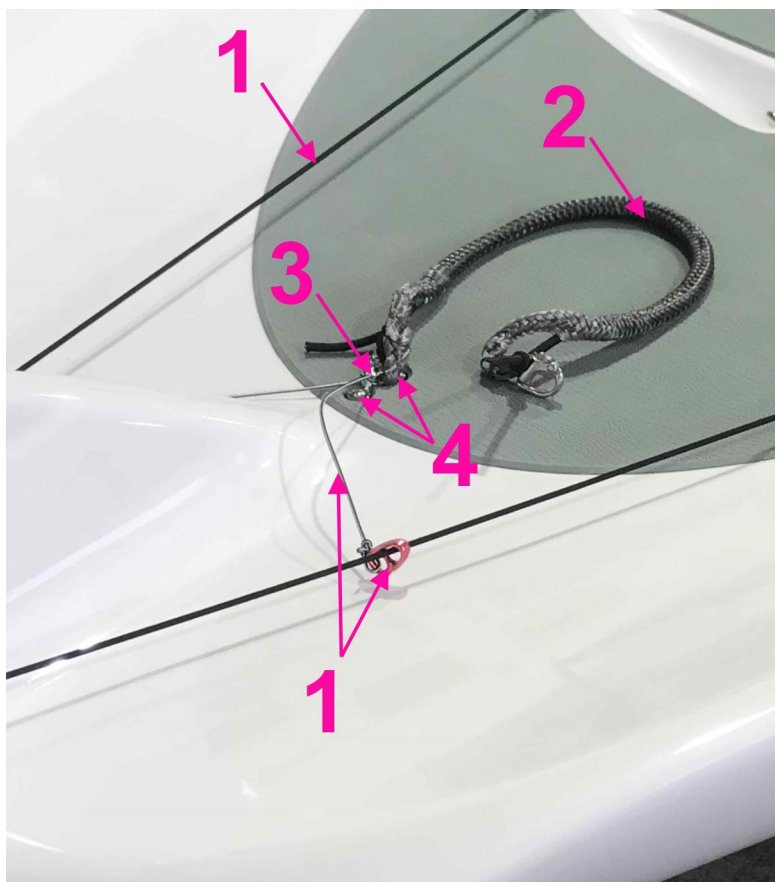


Section 5 – Stern Area

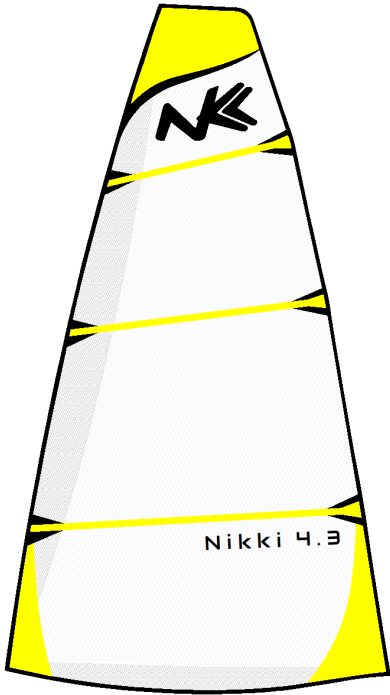


No.	Part No.	Description	QTY
1	R-N-RR	Righting Rope Set	1
2	SN-H-TR	Tiller Restrictor	1
3	RF94A	Saddle Flared, 4.8mm	1
4	B12GAX34PPH	12GA x 3/4" SS 316 Pan Phillips Head	2
5	SN-H-TG	Top Gudgeon	1
6	B14X1PPH	1/4" x 1" SS 316 Pan Phillips Head	4
7	SN-H-BG	Bottom Gudgeon	1
8	RF1050	Eye Becket	1
9	B316X34PPH	3/16" x 3/4" SS 316 Pan Phillips Head	1

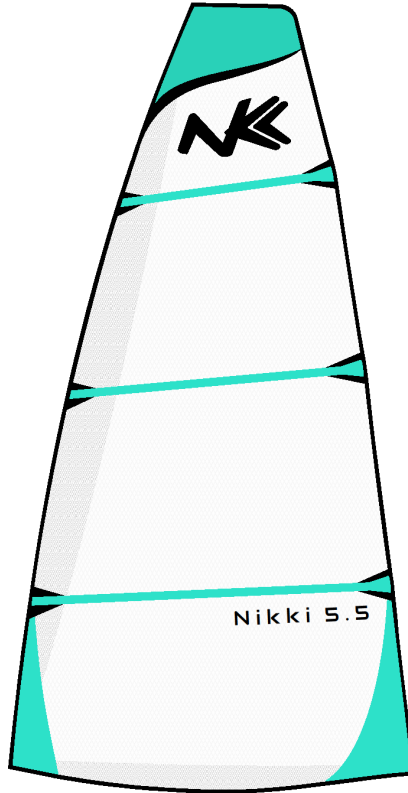
Section 5 – Stern Area



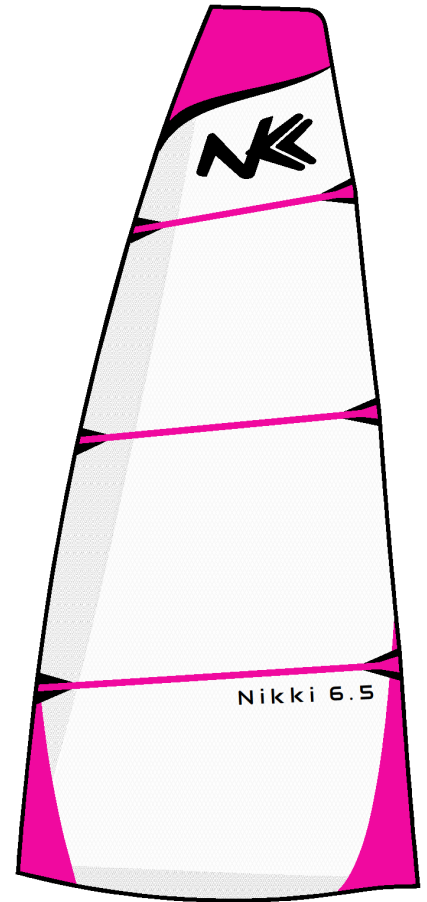
SAILS



4.3 Sail
N-R-D4.3S



5.5 Sail
N-R-D5.5S



6.5 Sail
N-R-D6.5S

Nikki Doyle Sail 4.3 Batten Set

N-R-D4.3BS

Nikki Doyle Sail 5.5 Batten Set

N-R-D5.5BS

Nikki Doyle Sail 6.5 Batten Set

N-R-D6.5BS

RBS ROCKET 10 x 5mm Batten

RB-BT10X50

RBS ROCKET Tension Key

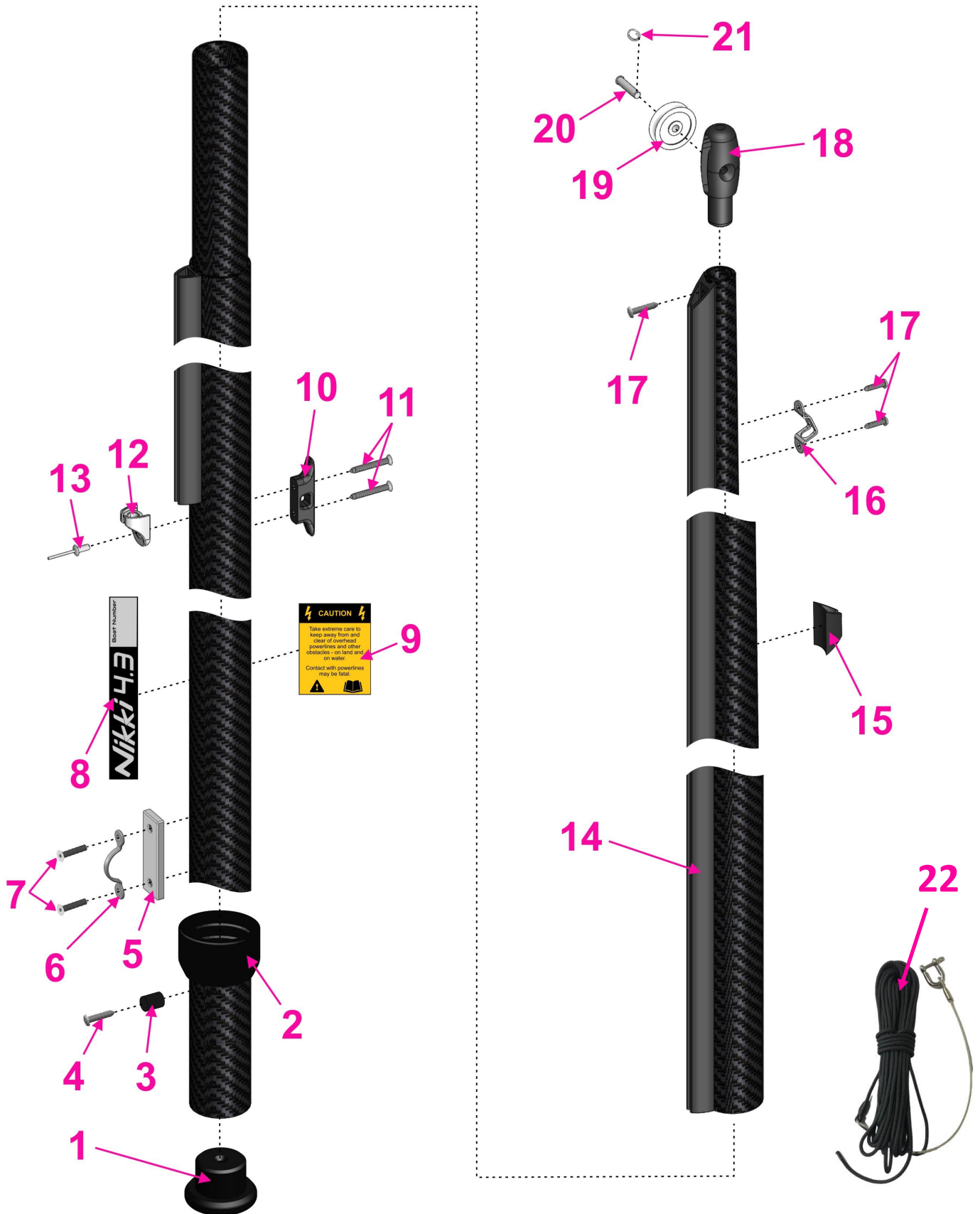
RB-BTKEY



MAST

No.	Part No.	Description	QTY
	N-R-4.3MB	4.3 Mast Base Complete	
	N-R-5.5MB	5.5 Mast Base Complete	
	N-R-6.5MB	6.5 Mast Base Complete	
	N-R-MTM	Nikki Mast Tip Complete	
1	N-R-MB-BP	Mast Base Bottom Plug	1
2	N-R-MB-TC	Mast Base Top Collar	1
3	N-R-MB-LK	Mast Base Lock Knob	1
4	B8GAX1PPH	8GA x 1" SS 316 Pan Phillips Head	1
5	N-R-MB-VSP	Mast Base Vang Saddle Plate	1
6	RF1055	Saddle, Narrow 16mm Clearance	1
7	B06X20CSH	M6 x 20mm SS 316 CSK Socket Head	2
8	ST-N-R-MB-4.3	Sticker N 4.3 Mast	
8	ST-N-R-MB-5.5	Sticker N 5.5 Mast	
8	ST-N-R-MB-6.5	Sticker N 6.5 Mast	
9	ST-SN-R-MB-CA	Sticker Mast Caution 55mm x 70mm	1
10	RF520	Horn Cleat, 3" x 3/16" holes	1
11	B10GAX112CPH	10GA x 1.5" SS 316 CSK Phillips Head	2
12	SN-R-SF	Sail Feeder	1
13	F-R66SS	#6-6 Rivet Stainless Steel	1
14	SN-R-MST	Mast Sail Track - Sold per Metre	
15	SN-R-MTHK	Mast Tip Halyard Keeper	1
16	RF191	Halyard Lock	1
17	B8GAX34PPH	8GA x 3/4" SS 316 Pan Phillips Head	3
18	SN-R-MHF	Mast Tip Head Fitting	1
19	RF251	Sheave Acetal OD:39mm x ID:6mm x W:10mm	1
20	RF265	Clevis Pin Stainless Steel 6.4mm x 25.4mm	1
21	RF113	Split Cotter Ring 3/8" Diam.	1
22	R-N-HWS	Nikki Halyard and Wire Strop	1

MAST

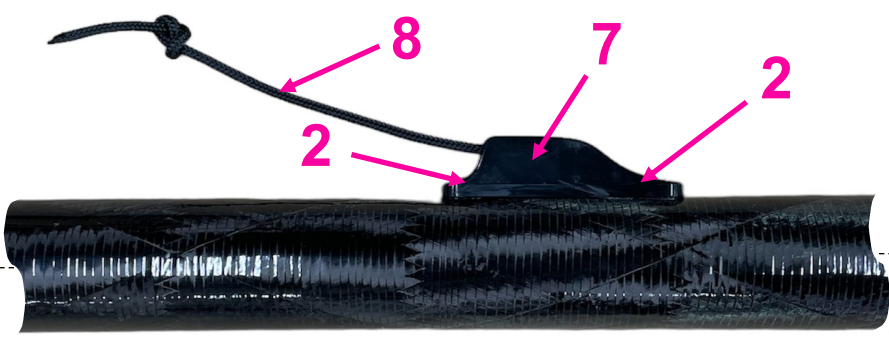
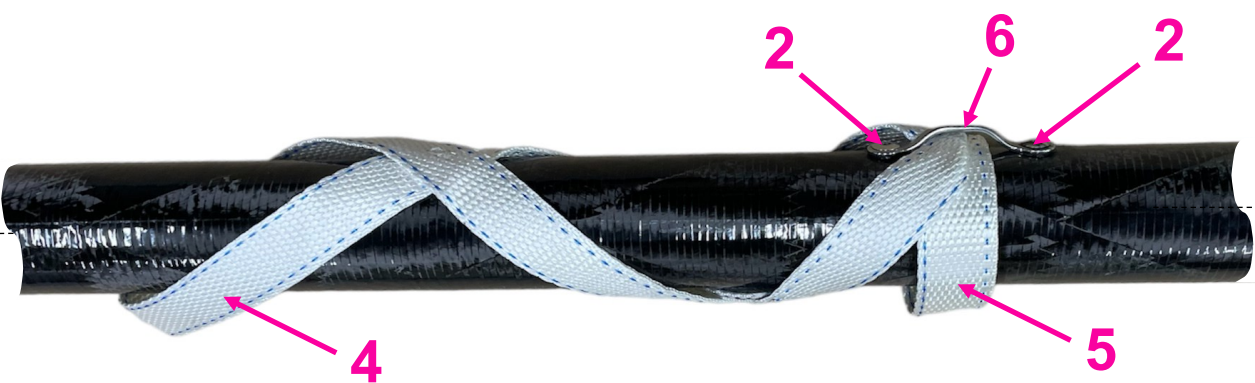
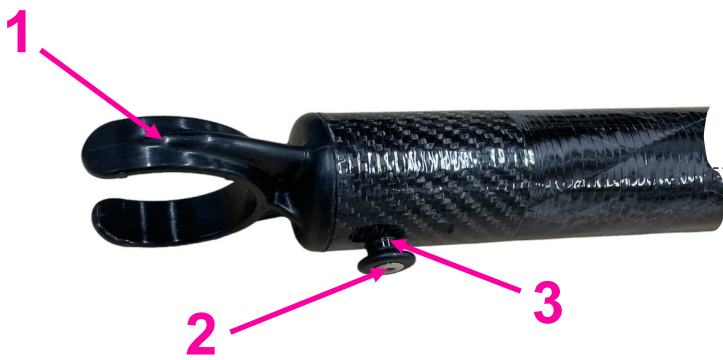


BOOM



No.	Part No.	Description	QTY
	N-R-BA	N Boom Complete	
1	SN-R-GY	Gooseneck Yoke	1
2	F-R66SS	#6-6 Rivet Stainless Steel	5
3	SAW-25105	Cord Button	1
4	N-R-BVL	Boom Vang Loop	1
5	SN-R-BWL	Boom Webbing Loop	1
6	RF134	Saddle, Narrow 14mm Clearance - Modified	1
7	CL203	Clamcleat Junior 3mm - 6mm, Black Nylon	1
8	R-N-OH	Outhaul Rope	1
9	SN-R-BEP	Boom End Plug	1
10	CS2470-50	Spring Snap Hook 50mm	1

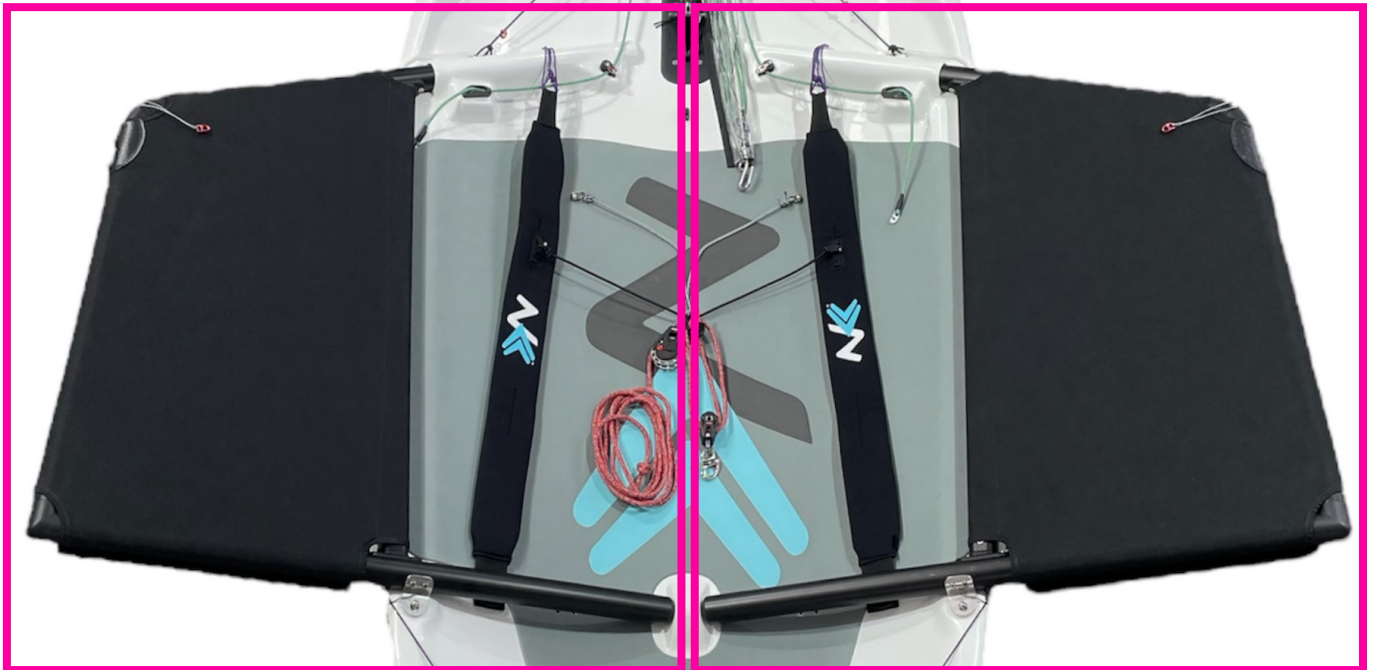
BOOM



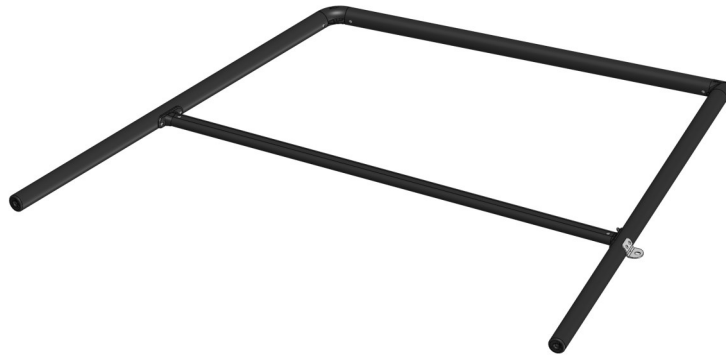
WINGS

Port Wing

Starboard Wing

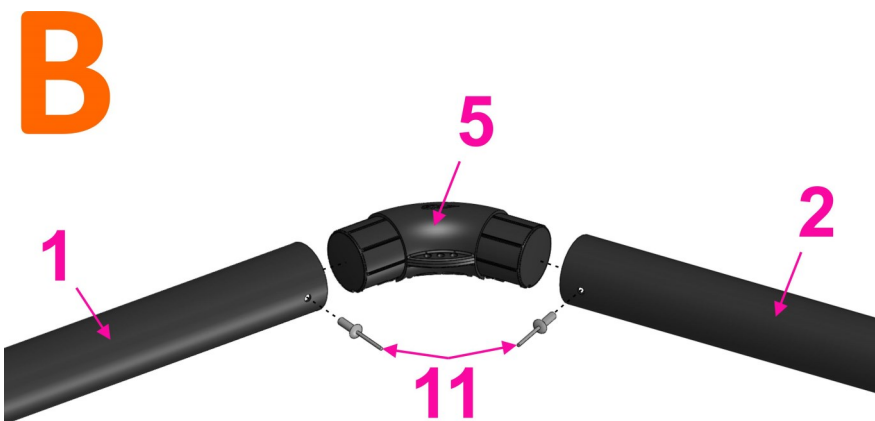
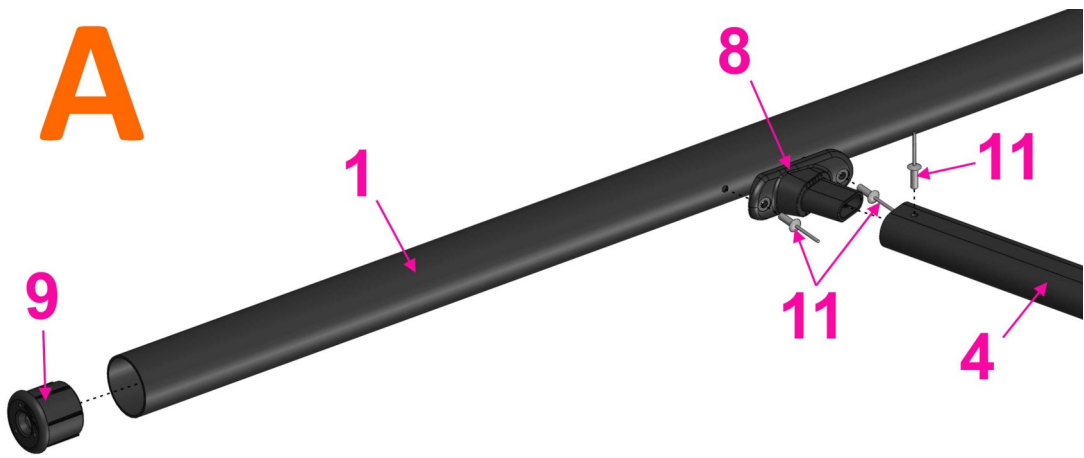
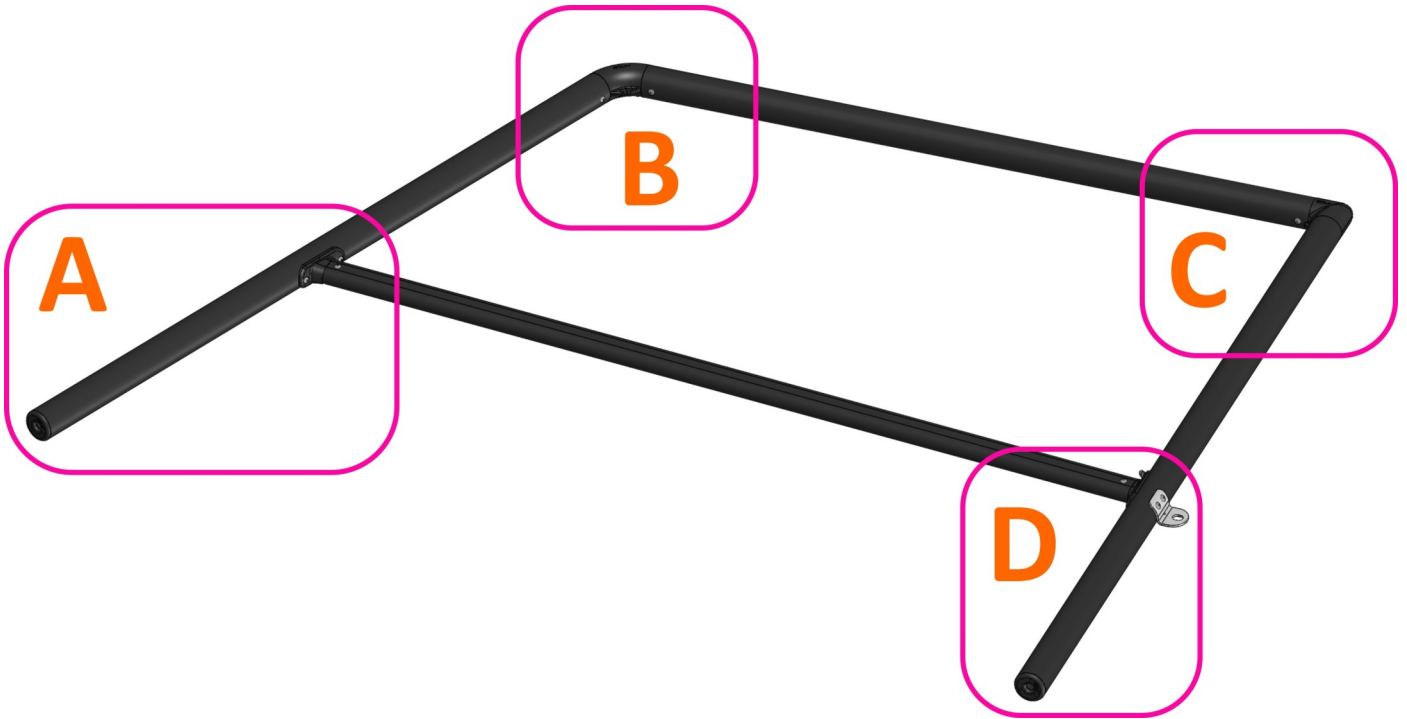


WINGS

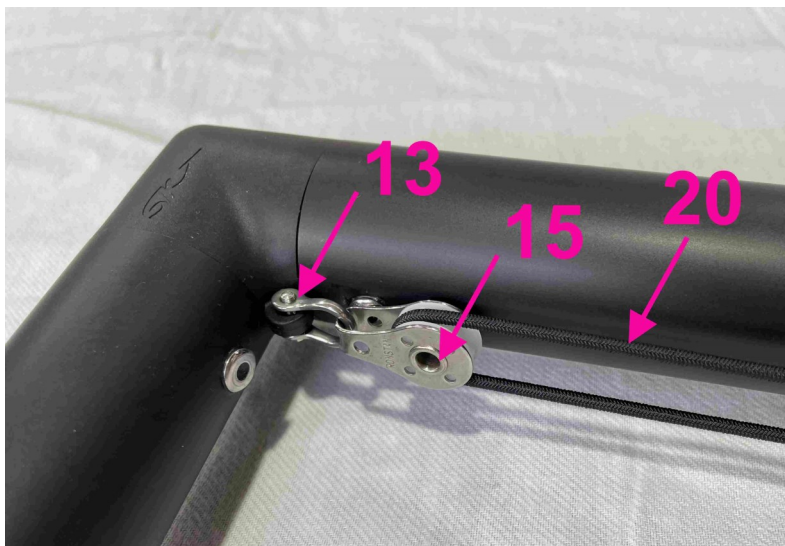
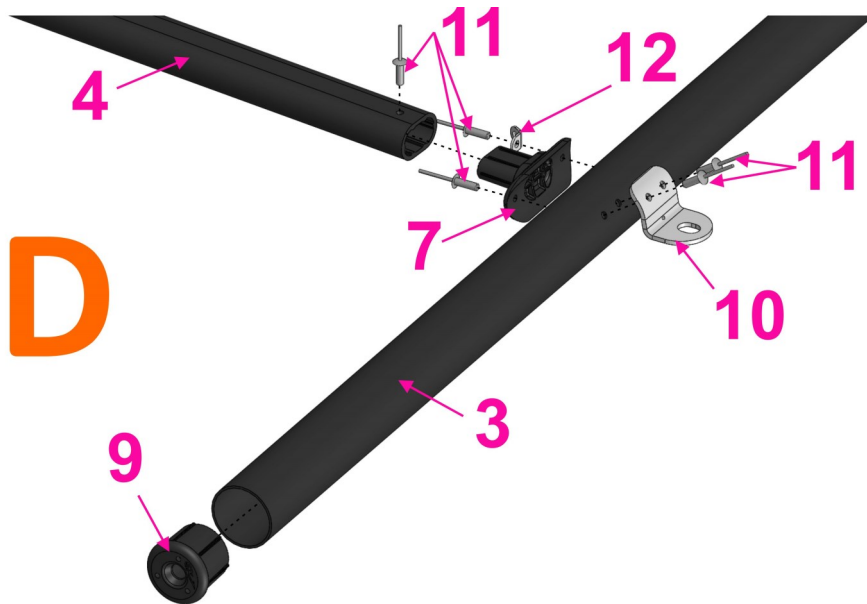
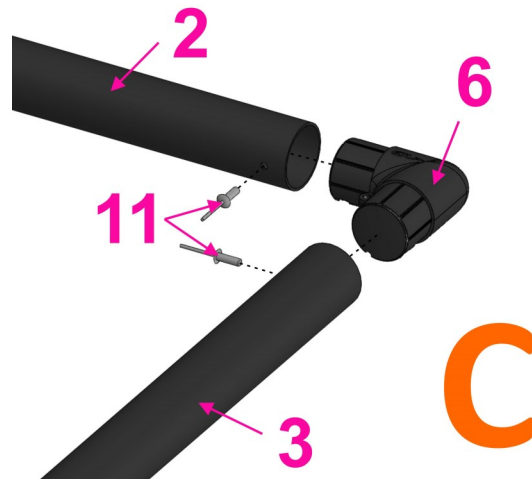


No.	Part No.	Description	QTY per wing
	N-W-STWF	N Starboard Wing Frame	
	N-W-PTWF	N Port Wing Frame	
1	N-W-FWB	Front Wing Bar	1
2	N-W-OWB	Outer Wing Bar	1
3	N-W-RWB	Rear Wing Bar	1
4	N-W-IWBS	Inner Wing Bar Starboard	
4	N-W-IWBP	Inner Wing Bar Port	
5	SN-W-FEJ	Wing Front Elbow Joiner	1
6	SN-W-REJ	Wing Rear Elbow Joiner	1
7	SN-W-RIJ	Wing Rear Inner Joiner	1
8	SN-W-FIJ	Wing Front Inner Joiner	1
9	SN-W-EP	Wing End Plug	2
10	SN-W-BLP	Wing Bar Lock Plate	1
11	F-R66M	#6-6 Rivet Monel	12
12	S-W-SB	Wing Shockcord Bracket	1
13	RF613S	Shackle, Bow, Slotted Pin 3mm, L:13mm, W:9mm	3
14	RF13101G	Kite block, grey	1
15	RF666	S19 Block Loop Top	1
16	RF15202	S15 BB Block, Double	1
17	RF536	Sister Clip	1
18	RF5310	Fast Pins 1/2" x 3/16" Diam.	1
19	RF8080R	Shock_red	1
20	R-N-WISC	N Wing Internal Shockcord	1
21	R-SN-WWRT	Wing Wand Rope Tether	1
22	R-SN-WLPT	Wing Lock Pin Tether	1
23	N-C-WTCS	N Trampoline Covers set	1
24	N-C-WTCR	N Trampoline Cover Rods Set	1

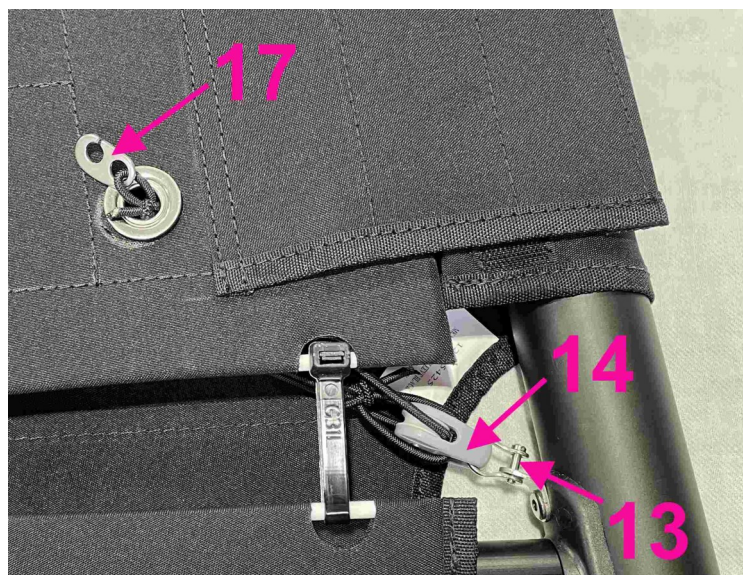
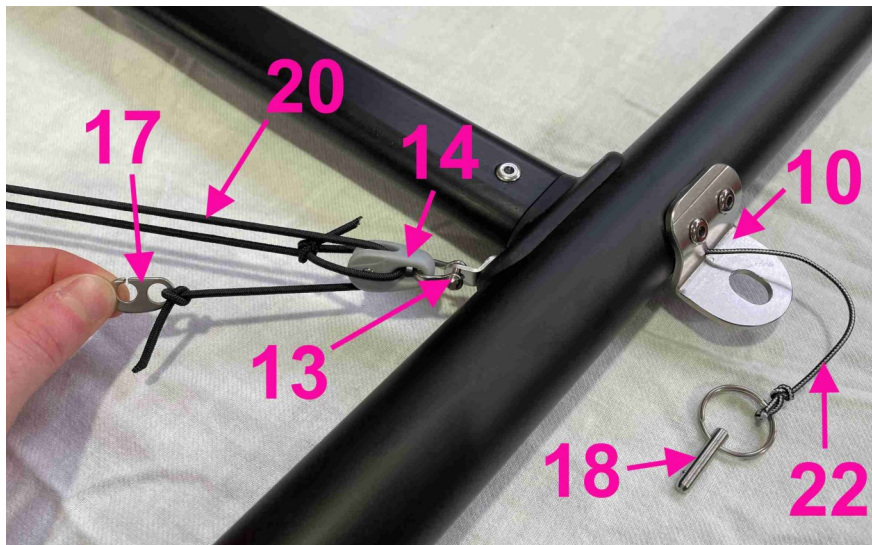
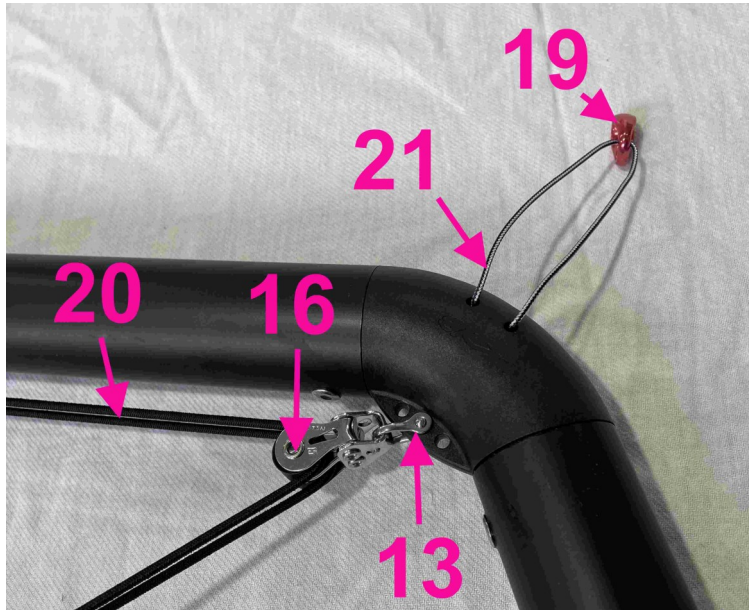
WINGS



WINGS



WINGS



WINGS

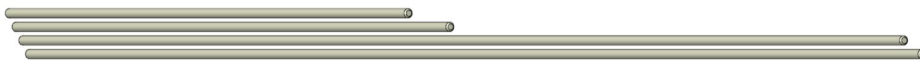


23
Starboard



23
Port

24



DAGGERBOARD

N-DV-G1

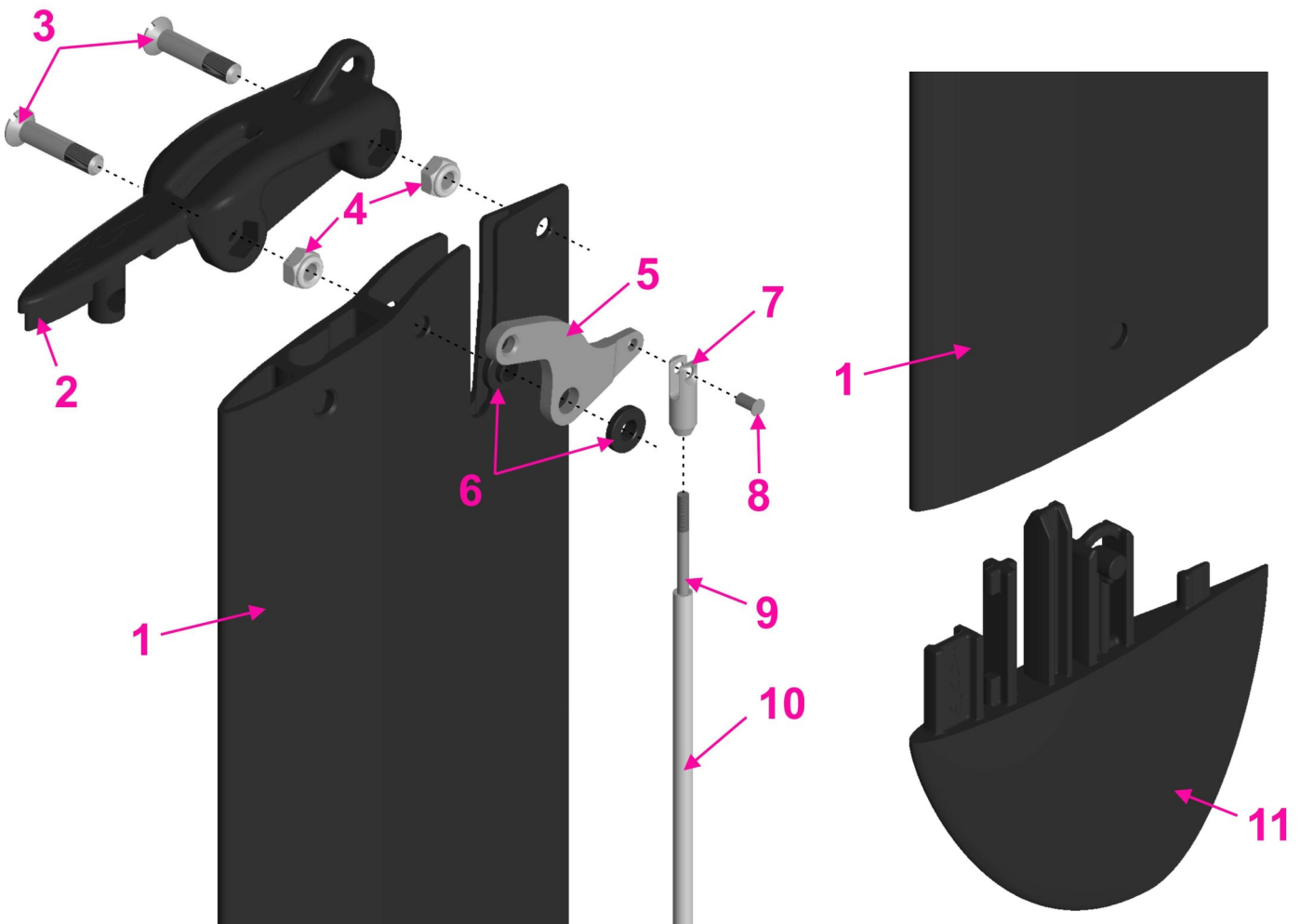


N-DV-G2



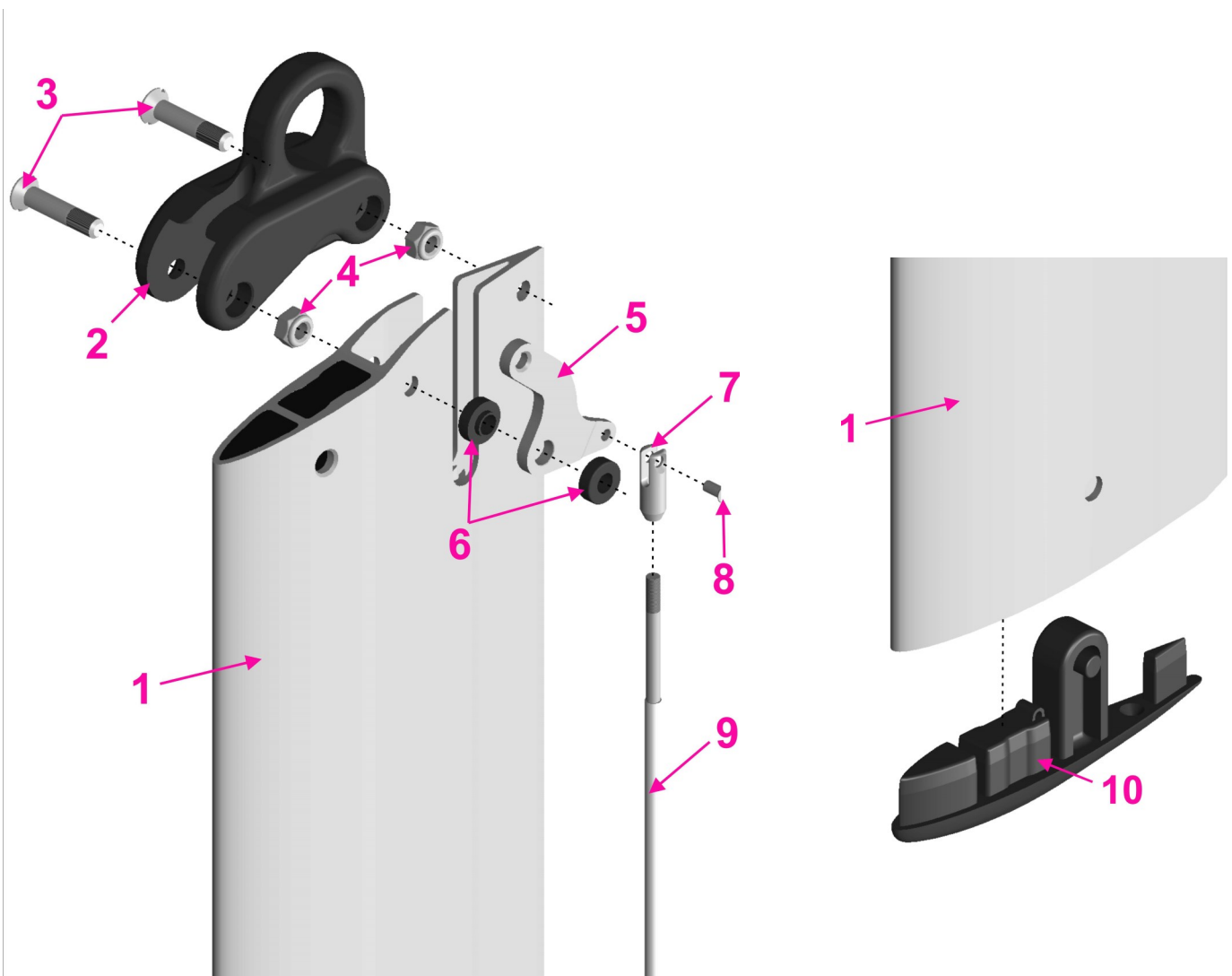
DAGGERBOARD G1

No.	Part No.	Description	QTY
	N-DV-G1	Daggerboard Vertical G1 Complete	
1	N-DV-G1E	Daggerboard Vertical G1 Extrusion	1
2	SN-DV-G1-TC	Daggerboard Top Cover G1	1
3	B06X30CSH	M6 x 30 CSK Slot Head	2
4	B06LN	M6 Nyloc Nut	2
5	SN-DV-BC253425.5	Bell Crank 25, 34-25.5	1
6	SN-DV-G1-BCB	Bellcrank Bush G1	2
7	SN-DV-PC18	Pushrod Clevis 1/8" thread	1
8	SN-DV-PCR	Pushrod Clevis Rivet	1
9	N-DV-G1-3.18P	Pushrod 3.18mm	1
10	SN-DV-G1-PT	Daggerboard G1 Plastic Tube	1
11	SN-DT-G1	Displacement Tip G1	1



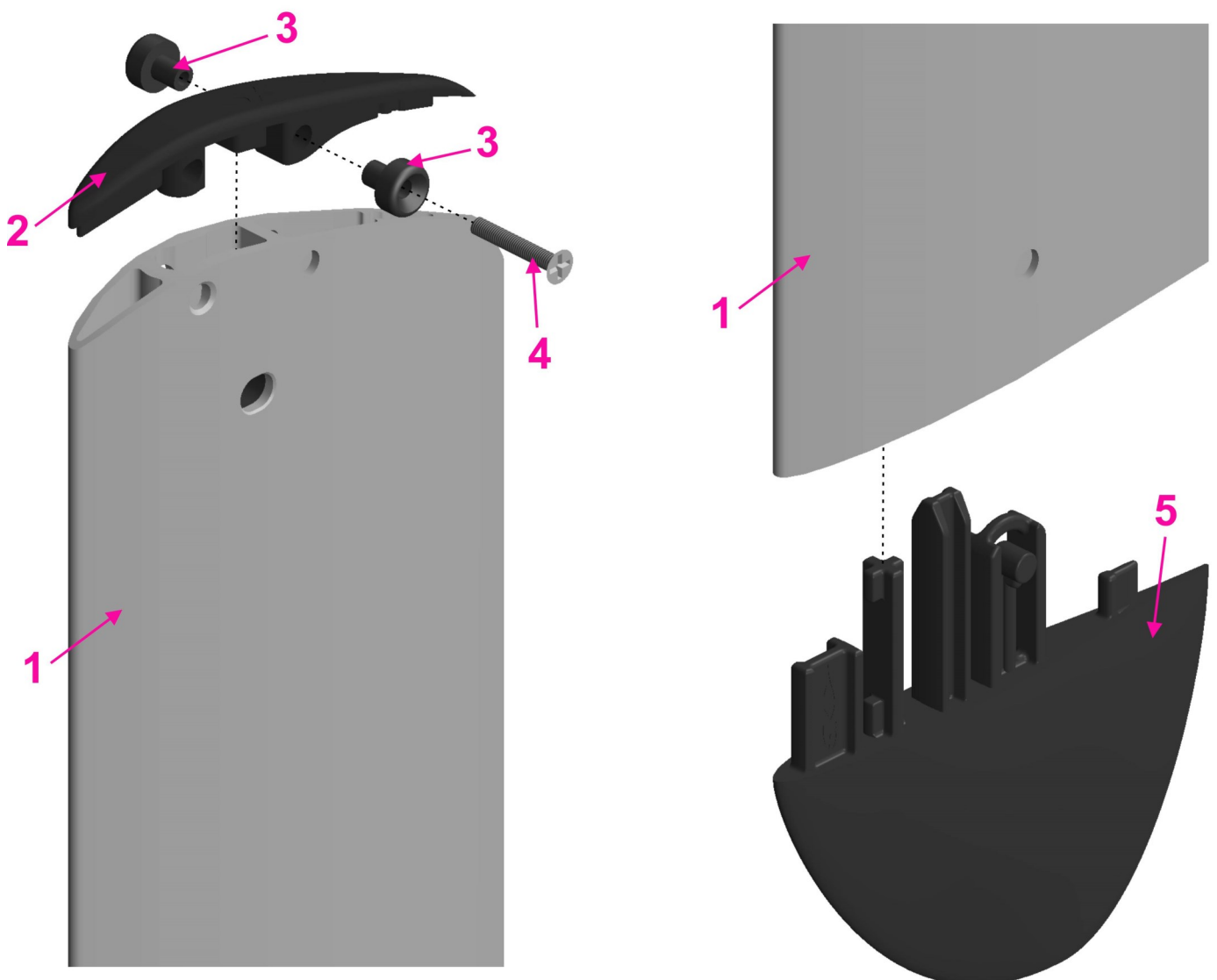
DAGGERBOARD G2

No.	Part No.	Description	QTY
	N-DV-G2	Daggerboard Vertical G2 Complete	
1	N-DV-G2E	Daggerboard Vertical G2 Extrusion	1
2	SN-DV-G2-TC	Daggerboard Top Cover G2	1
3	B06X30CSH	M6 x 30 CSK Slot Head	2
4	B06LN	M6 Nyloc Nut	2
5	SN-DV-BC253425.5	Bell Crank 25, 34-25.5	1
6	SN-DV-G2-BCB	Bellcrank Bush G2	2
7	SN-DV-PCM4	Pushrod Clevis M4 thread	1
8	SN-DV-PCR	Pushrod Clevis Rivet	1
9	N-DV-G2-4P	Pushrod 4mm	1
10	SN-DT-G2	Displacement Tip G2	1



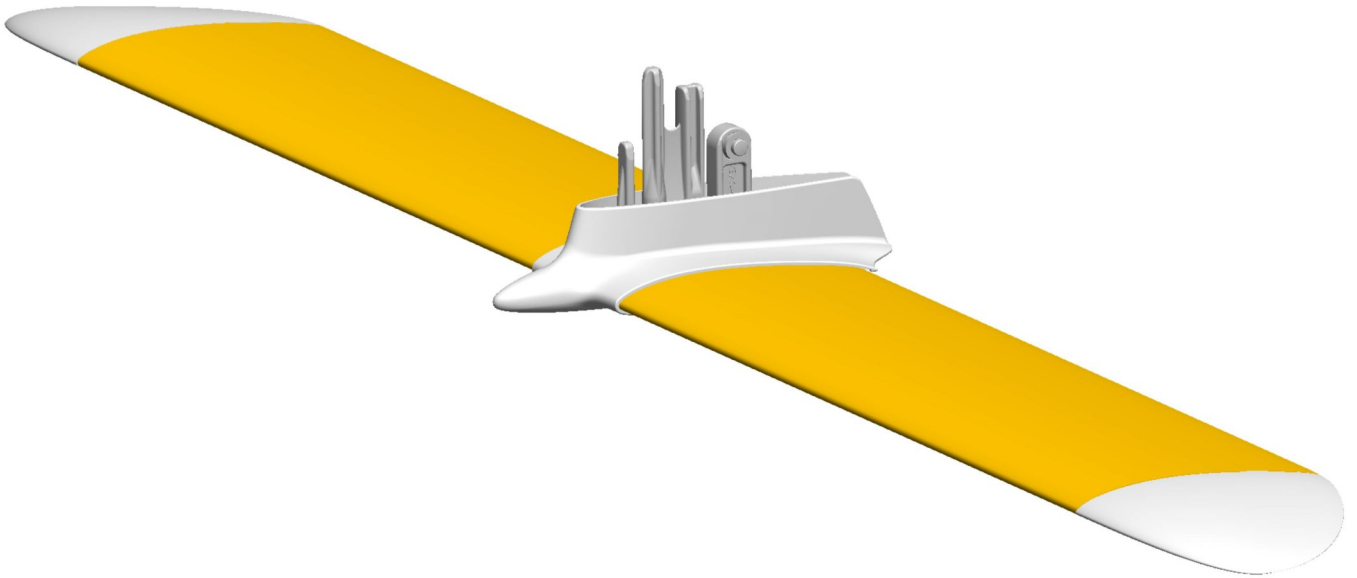
RUDDER VERTICAL

No.	Part No.	Description	QTY
	N-RV-G1	Rudder Vertical G1 Complete	
1	N-RV-G1E	Rudder Vertical G1 Extrusion	1
2	SN-RV-G1-TC	Rudder Vertical Top Cover G1	1
3	SN-RV-RS	Rudder Stop Set	1
4	B04X25CPH	4x25mm SS 316 CSK Phillips Head	1
5	SN-DT-G1	Displacement Tip G1	1

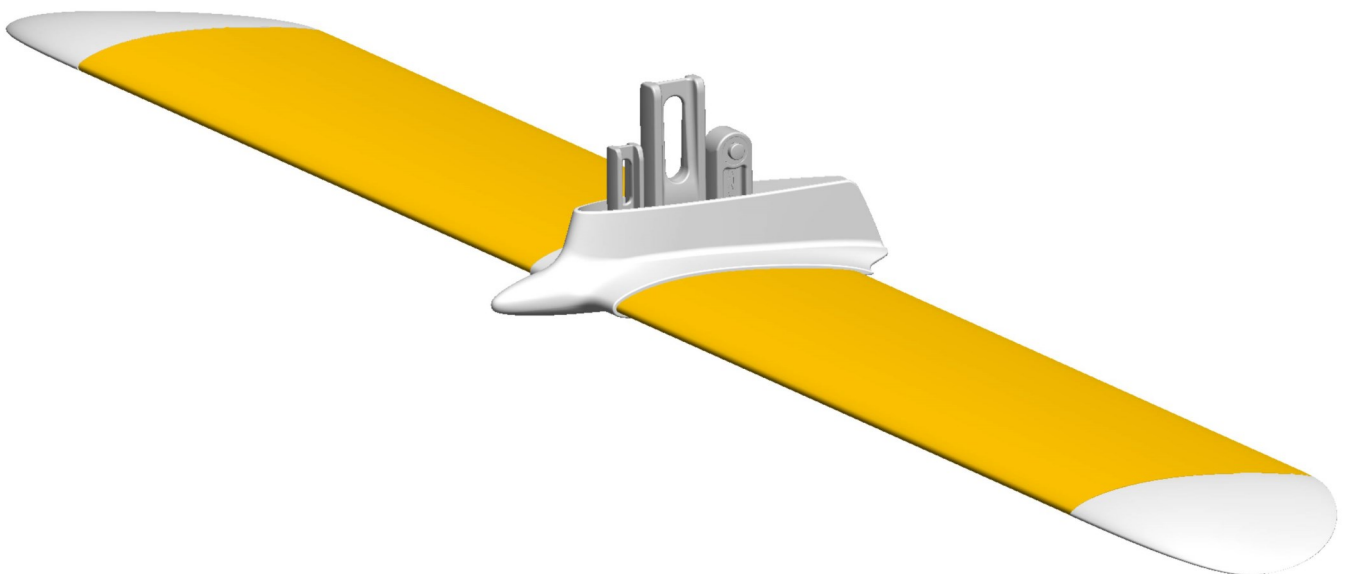


MAIN LIFTING FOIL

SN-MLF-G1

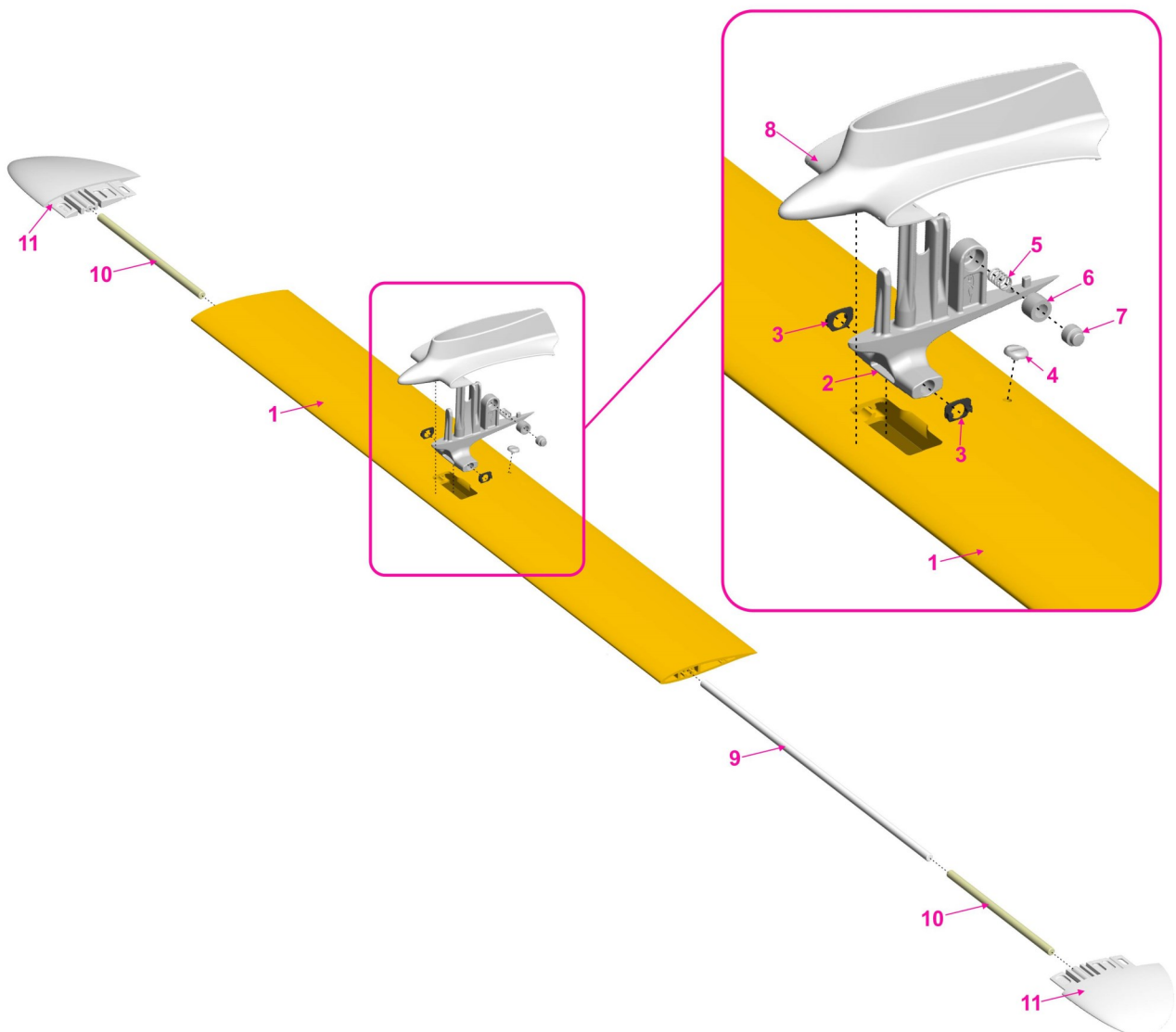


SN-MLF-G2



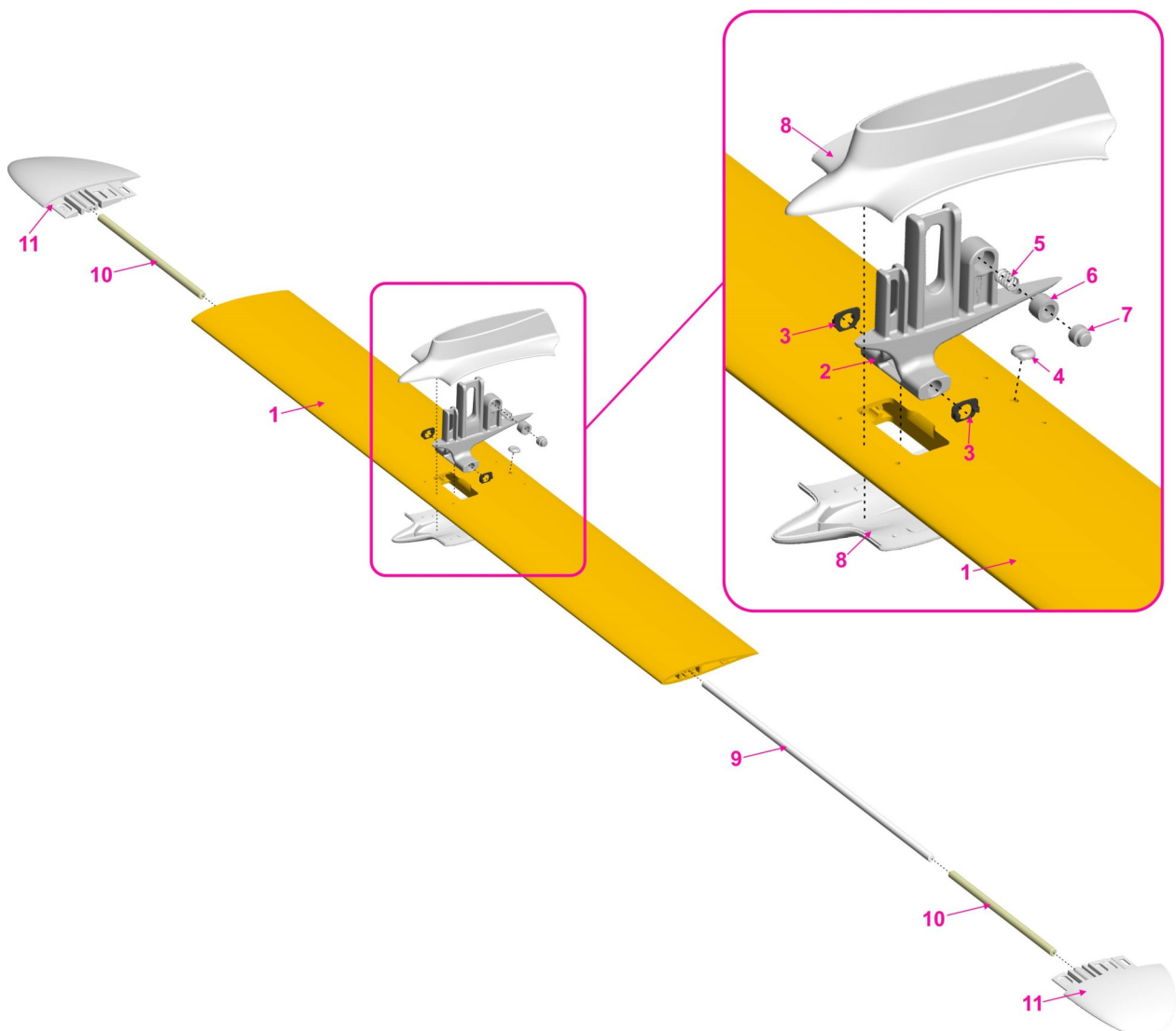
MAIN LIFTING FOIL G1

No.	Part No.	Description	QTY
	SN-MLF-G1	Main Lifting Foil G1 Complete	
1	SN-MLF-830-G1	Main Lifting Foil G1 Extrusion	1
2	SN-MLF-G1-TJ	Main Lifting Foil G1 T-Joint	1
3	SN-MLF-TJW	T-joint Washer	2
4	SN-MLF-PR	Pushrod Rest	1
5	SN-LF-PB-S	Push Button Spring	1
6	SN-LF-PB-S	Push Button Slug	1
7	SN-LF-PB	Push Button	1
8	SN-MLF-G1-FF	Main Lifting Foil G1 Fairing	1
9	SN-MLF-AR	Axle Rod	1
10	SN-MLF-FR	Filler Rod	2
11	SN-MLF-WT	Main Lifting Foil Wing Tip - Port and Starboard	1

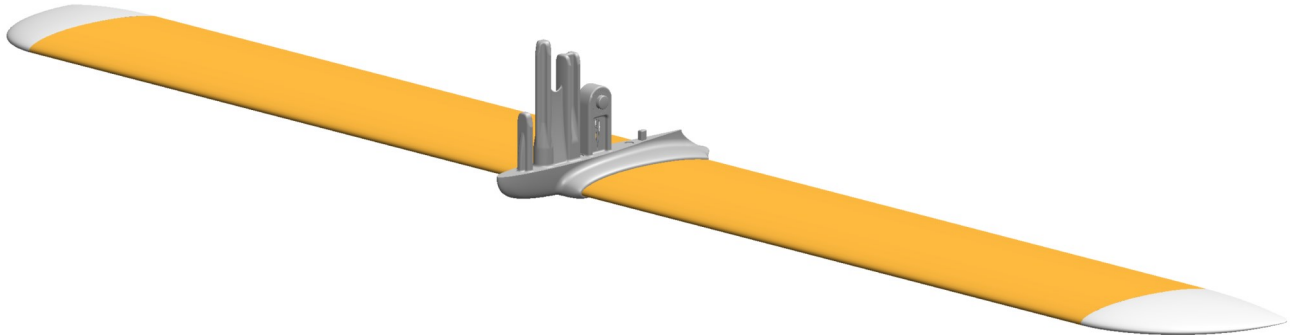


MAIN LIFTING FOIL G2

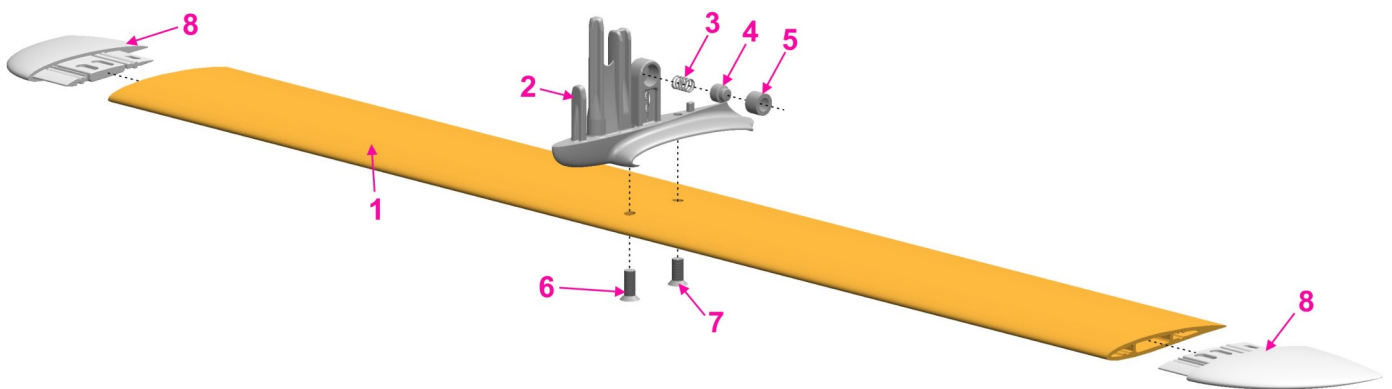
No.	Part No.	Description	QTY
	SN-MLF-G2	Main Lifting Foil G2 Complete	
1	SN-MLF-830	Main Lifting Foil Extrusion	1
2	SN-MLF-G2-TJ	Main Lifting Foil G2 T-Joint	1
3	SN-MLF-TJW	T-joint Washer	2
4	SN-MLF-PR	Pushrod Rest	1
5	SN-LF-PB-S	Push Button Spring	1
6	SN-LF-PB-S	Push Button Slug	1
7	SN-LF-PB	Push Button	1
8	SN-MLF-G2-FF	Main Lifting Foil G2 Fairing - Top and Bottom	1
9	SN-MLF-AR	Axle Rod	1
10	SN-MLF-FR	Filler Rod	2
11	SN-MLF-WT	Main Lifting Foil Wing Tip - Port and Starboard	1



RUDDER LIFTING FOIL

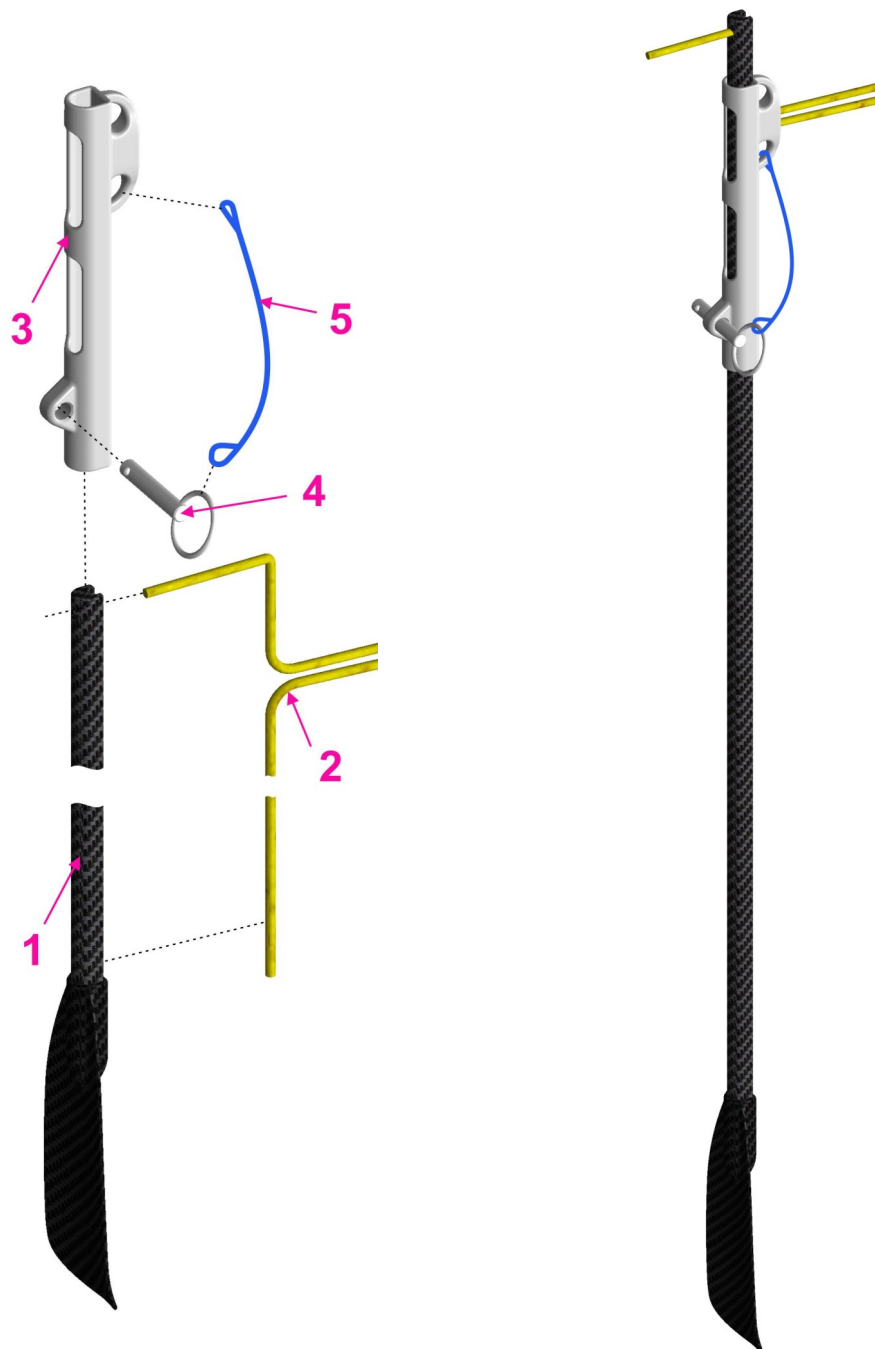


No.	Part No.	Description	QTY
	SN-RLF-G1	Rudder Lifting Foil Complete	
1	SN-RLF-750	Rudder Lifting Foil Extrusion	1
2	SN-RLF-G1-TJ	Rudder Liftng Foil T-joint	1
3	SN-LF-PB-S	Push Button Spring	1
4	SN-LF-PB	Push Button	1
5	SN-LF-PB-S	Push Button Slug	1
6	B06X16	M6 x 16mm CSK Phillips Head	1
7	B06X14	M6 x 14mm CSK Phillips Head	1
8	SN-RLF-WT	Rudder Lifting Foil Wing Tips - Port and Starboard	1



WAND ASSEMBLY

No.	Part No.	Description	QTY
	N-WD-A	Nikki Wand Assembly	
1	N-WD-SP	Nikki Wand Shaft and Paddle	1
2	R-N-WD	Nikki Wand Rope	1
3	SN-WD-T	Wand Tube	1
4	SNT-S440	1/4" x 38mm Fast Pin	1
5	R-SN-WTR	Wand Tube Rope	1



RUDDERBOX ASSEMBLY

Adjustable Knob Version

N-RBA-TK



Adjustable Tiller Version

N-RBA-TT



RUDDERBOX ASSEMBLY

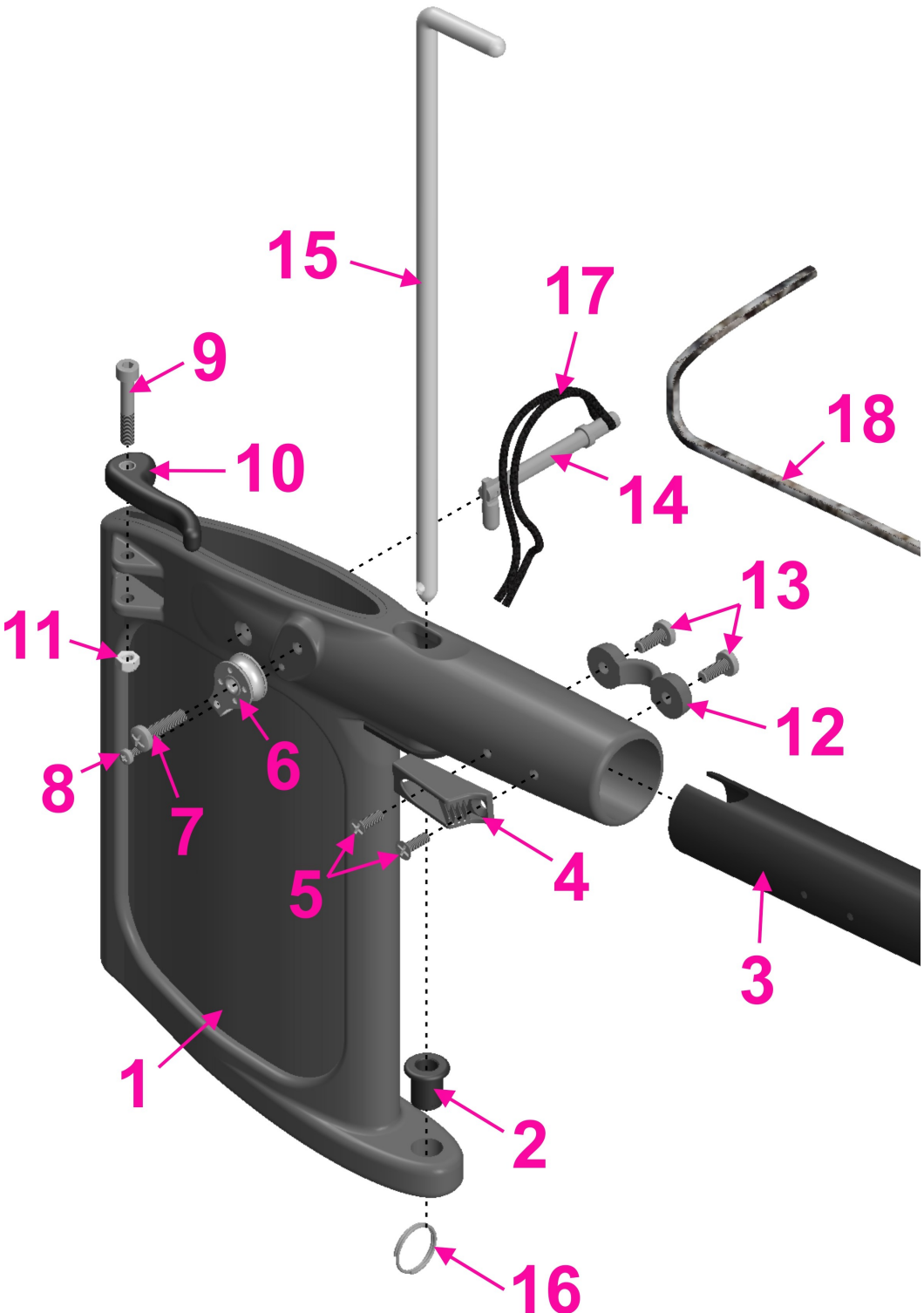
- Rudderbox



No.	Part No.	Description	QTY
1	SN-RB-C	Rudderbox	1
2	SN-RB-B	Bottom Gudgeon Bush	1
3	N-RBA-T700	Adjustable Rudderbox Tiller	1
4	C268AN	Clamcleat Racing Micros Hard Anodised	1
5	B04X10CPH	M4 x 10 CSK Phillips Head	2
6	RF666	S19 Block Loop Top	1
7	B05X20PPH	M5 x 20mm Pan Phillips Head	1
8	B03X16PPH	M3 x 16 Pan Phillips Head	1
9	B05X30SHCS	M5 x 30 SHCS	1
10	SN-TC	Toggle clamp	1
11	B05LN	M5 Nyloc Nut	1
12	PNP48	Plastic Saddle	1
13	B05X12PPH	M5 x 12 Pan Phillips Head	2
14	SN-FLP	Foil Lock Pin	1
15	SN-RB-RP	Rudder Pin	1
16	RF687	Split Cotter Pin 3/4" Diam.	1
17	R-SN-FLPSC	Foil Lock Pin Shockcord	1
18	R-N-RPDR	Rudder Pull Down Rope and shockcord	1

RUDDERBOX ASSEMBLY

- Rudderbox



RUDDERBOX ASSEMBLY

- Internal Components

Adjustable Knob Version

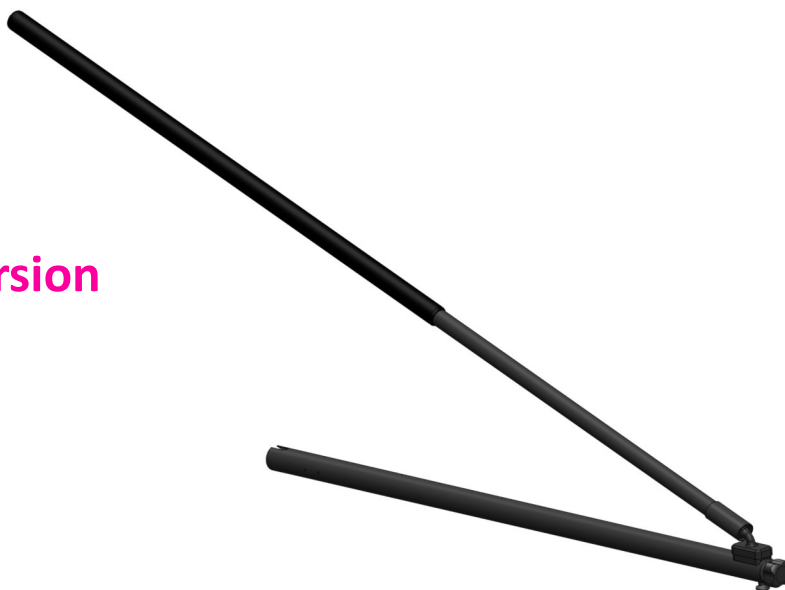
N-RBA-TK



RUDDERBOX ASSEMBLY

- Internal Components

Adjustable Knob Version

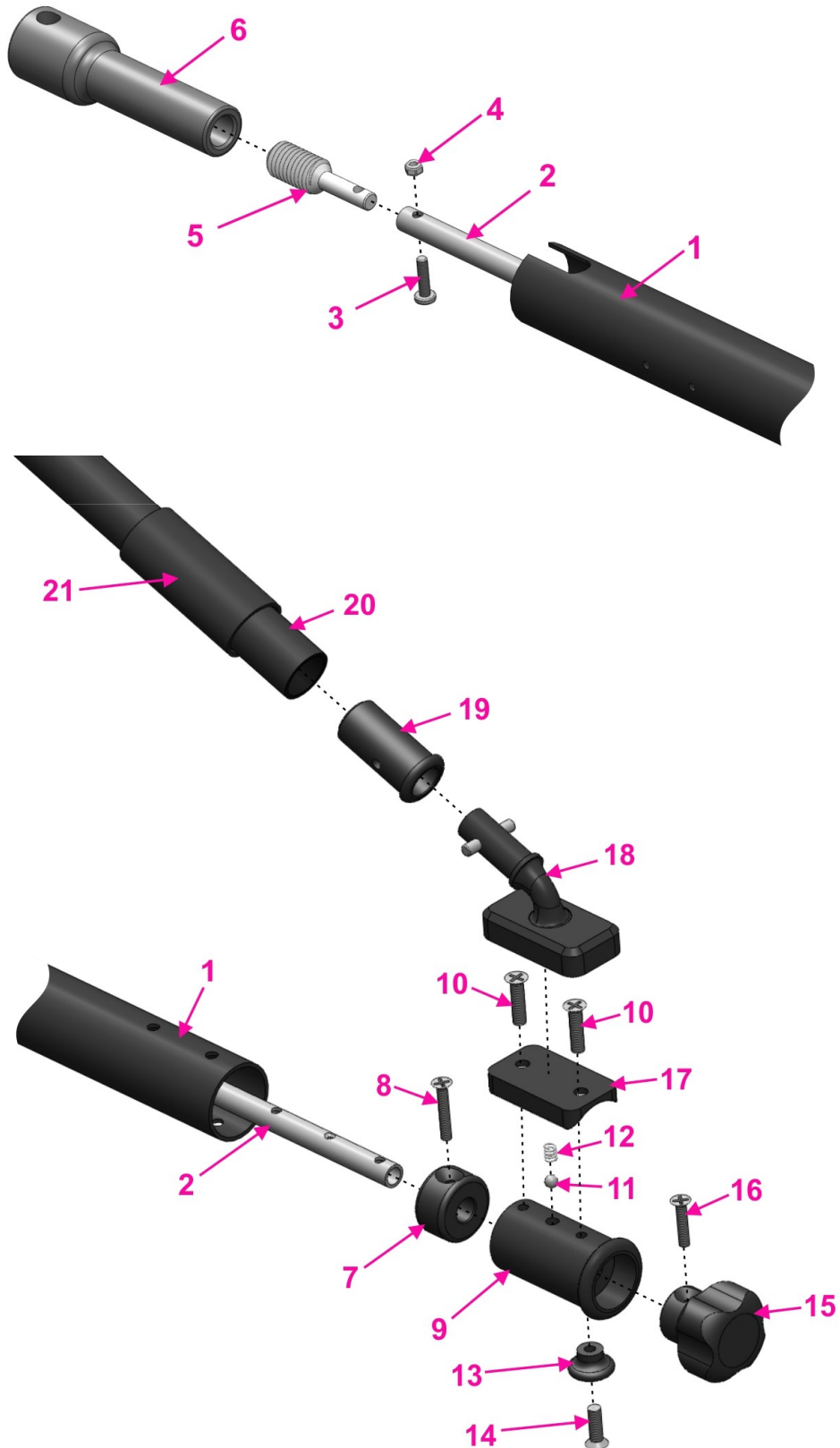


No.	Part No.	Description	QTY
1	N-RBA-T700	Adjustable Rudderbox Tiller	1
2	N-RBA-ITT	Inner Tiller Tube	1
3	B04X16PPH	M4 x 16 Pan Phillips Head	1
4	B04LN	M4 Nyloc Nut	1
5	SN-RBA-GBS	Gudgeon Bush Screw	1
6	SN-RBA-GTB	Gudgeon Tiller Bush	1
7	SN-RBA-TS	Tube Stopper	1
8	B04X25CPH	M4 x 25 CSK Phillips Head	1
9	SN-RBA-TEP	Tiller End Plug	1
10	B05X20CPH	M5 x 20 CSK Phillips Head	2
11	SN-RBA-5B	5mm Ball	1
12	SN-RBA-BS	Ball Spring	1
13	SAW-25105A	Cord Button	1
14	B05X16CPH	M5 x 16 CSK Phillips Head	1
15	SN-RBA-TK	Twist Knob	1
16	B04X20CPH	M4 x 20 CSK Phillips Head	1
17	RF3136	Round tiller adapter	2
18	RF3133	Urethane Universal Joint	1
19	SN-RBA-TEBP	Tiller Extension Base Plug	1
20	N-RB-TE	Tiller Extension with Grip	1
21	SN-RB-TEHS	Tiller Extension Heat Shrink	1

RUDDERBOX ASSEMBLY

- Internal Components

Adjustable Knob Version



RUDDERBOX ASSEMBLY

- Internal Components

Adjustable Tiller Version

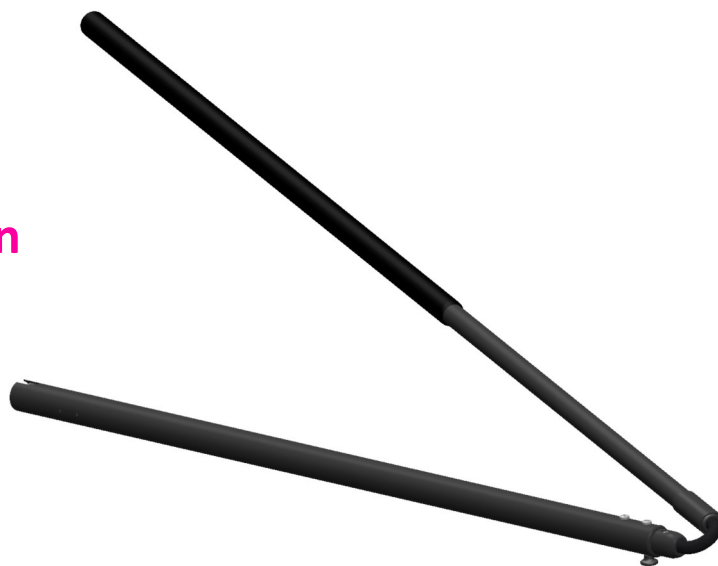
N-RBA-TT



RUDDERBOX ASSEMBLY

- Internal Components

Adjustable Tiller Version

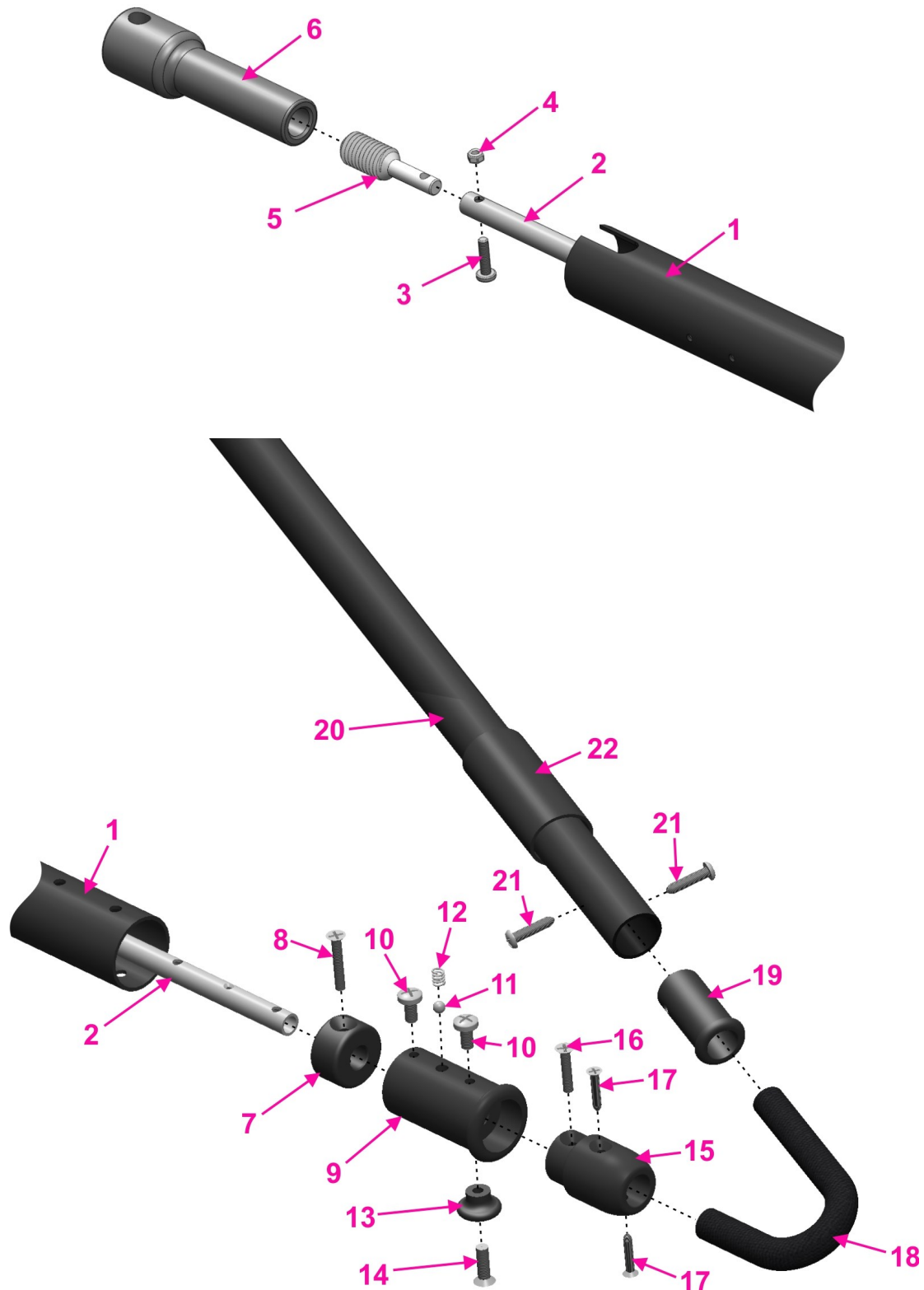


No.	Part No.	Description	QTY
1	N-RBA-T700	Adjustable Rudderbox Tiller	1
2	N-RBA-ITT	Inner Tiller Tube	1
3	B04X16PPH	M4 x 16 Pan Phillips Head	1
4	B04LN	M4 Nyloc Nut	1
5	SN-RBA-GBS	Gudgeon Bush Screw	1
6	SN-RBA-GTB	Gudgeon Tiller Bush	1
7	SN-RBA-TS	Tube Stopper	1
8	B04X25CPH	M4 x 25 CSK Phillips Head	1
9	SN-RBA-TEP	Tiller End Plug	1
10	B05X10PPH	M5 x 10 Pan Phillips Head	2
11	SN-RBA-5B	5mm Ball	1
12	SN-RBA-BS	Ball Spring	1
13	SAW-25105A	Cord Button	1
14	B05X16CPH	M5 x 16 CSK Phillips Head	1
15	SN-RBA-UJC	Uni Joint Connector	1
16	B04X20CPH	M4 x 20 CSK Phillips Head	1
17	B6GAX34CPH	6GA X 3/4 CSK Phillips Head	2
18	SN-RBA-UJ	Uni Joint	1
19	SN-RBA-TEBP	Tiller Extension Base Plug	1
20	N-RB-TE	Tiller Extension with Grip	1
21	B8GAX34PPH	8GA x 3/4 Pan Phillips Head	2
22	SN-RB-TEHS	Tiller Extension Heat Shrink	1

RUDDERBOX ASSEMBLY

- Internal Components

Adjustable Tiller Version



BAGS AND COVERS

No.	Part No.	Description
1	N-C-HC	Hull Cover
2	N-C-FB	Foil Bag
3	N-C-MB	Mast Bag

1



2



3





We reserve the right to make further changes and modifications to our products or corresponding documents at any time to maintain the functionality, value, and quality of the product.

Skeeta Watersports Pty Ltd
Factory 16/59-65 Keys Rd
Moorabbin, Victoria
Australia 3189

www.skeetawatersports.com